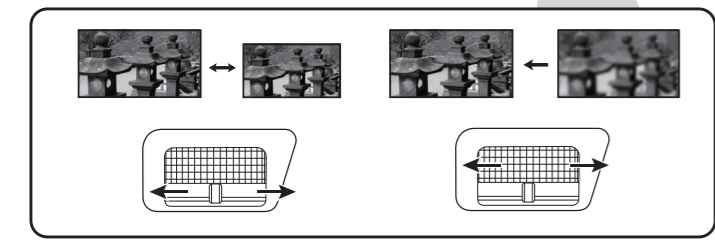
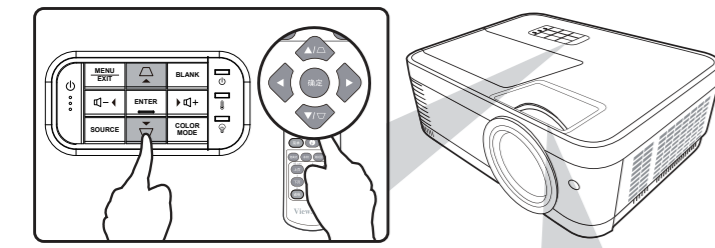
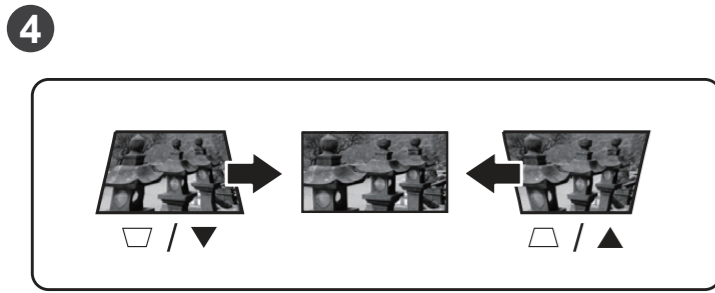
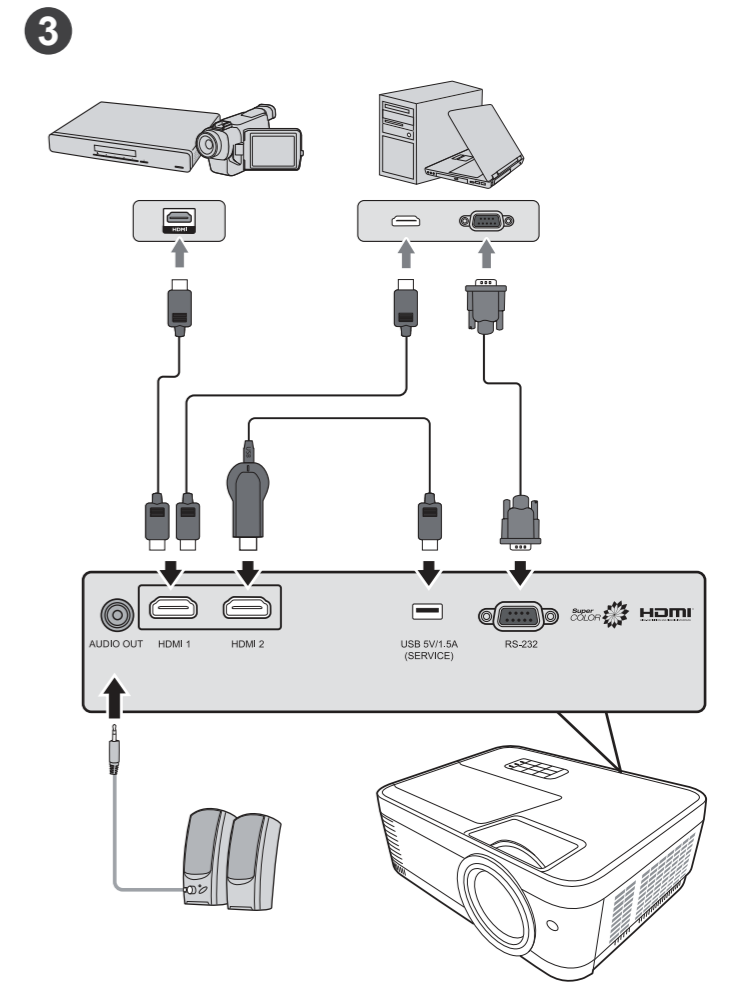
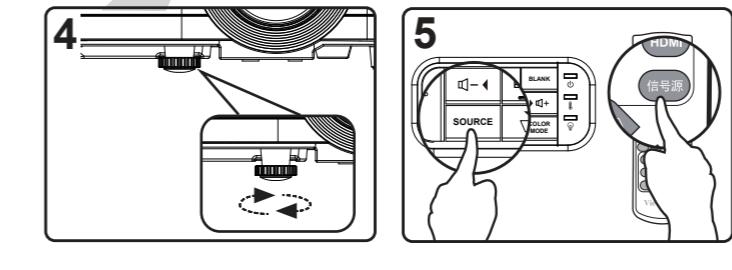
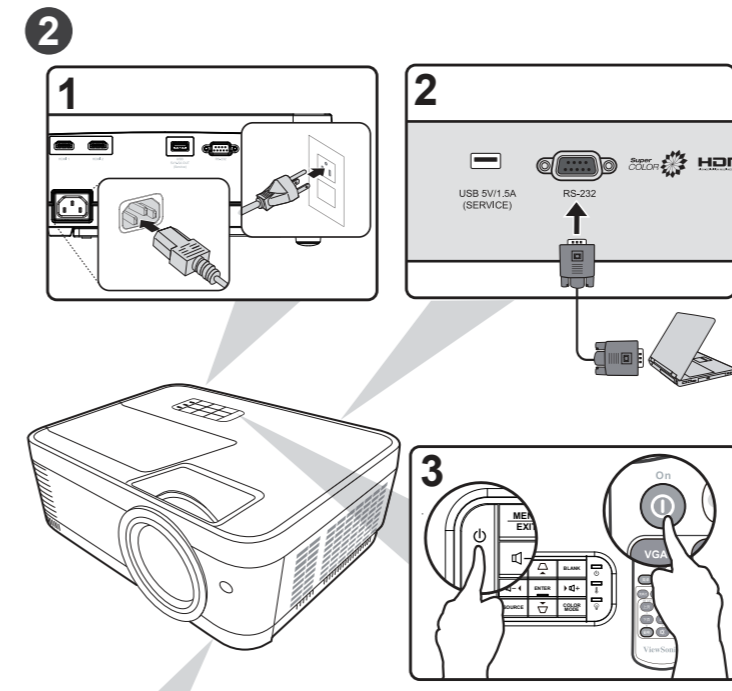
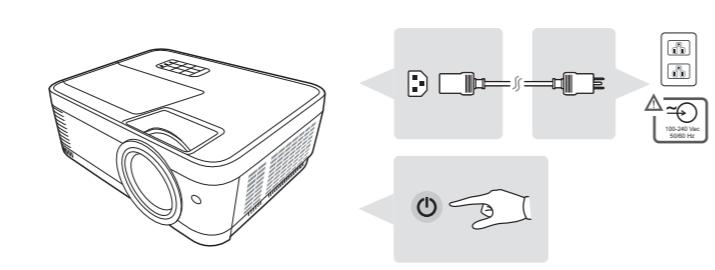


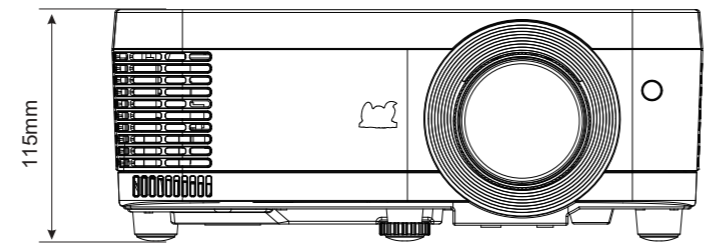
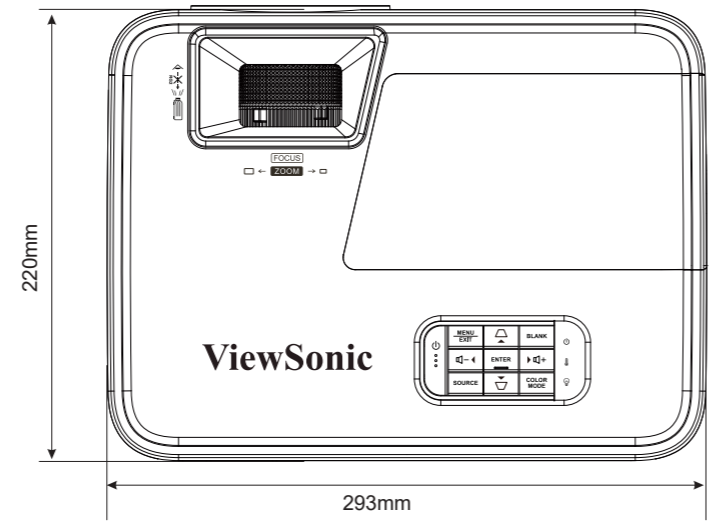
TB2109HDH

DLP Projector

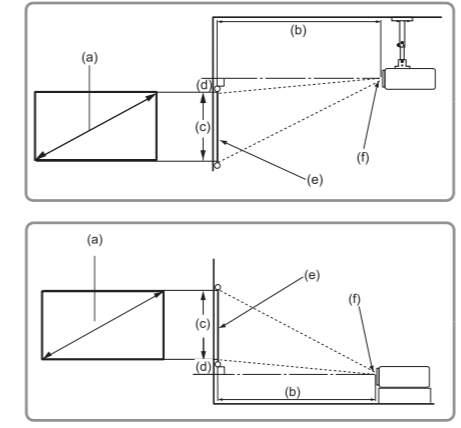
快速安装说明



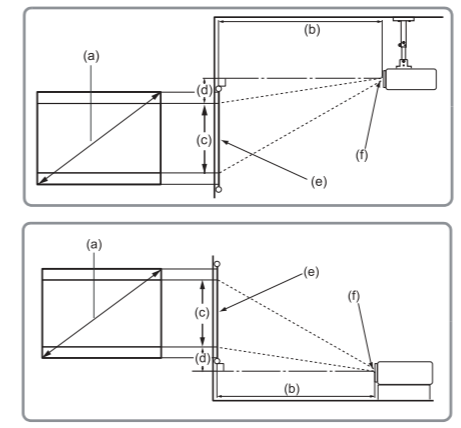
5 Screws: M4 x 8 (Max. L = 8 mm)
Unit: mm



• 16:9 image on a 16:9 screen



• 16:9 image on a 4:3 screen



(a) Screen Size	16:9 image on a 16:9 Screen										
	(b) Projection distance				(c) Image height		(d) Vertical offset				
	min.		max.		min.		min.		max.		
60	1524	77	1958	85	2154	29	747	2.4	59.8	2.4	60
70	1778	90	2284	99	2513	34	872	2.7	69.7	2.7	70
80	2032	103	2611	113	2872	39	996	3.1	79.7	3.1	80
90	2286	116	2937	127	3231	44	1121	3.5	89.7	3.5	90
100	2540	128	3263	141	3589	49	1245	3.9	99.6	3.9	100
110	2794	141	3589	155	3948	54	1370	4.3	109.6	4.3	110
120	3048	154	3916	170	4307	59	1494	4.7	119.5	4.7	120
130	3302	167	4242	184	4666	64	1619	5.1	129.5	5.1	130
140	3556	180	4568	198	5025	69	1743	5.5	139.5	5.5	139
150	3810	193	4895	212	5384	74	1868	5.9	149.4	5.9	149
160	4064	206	5221	226	5743	78	1992	6.3	159.4	6.3	159
170	4318	218	5547	240	6102	83	2117	6.7	169.4	6.7	169
180	4572	231	5874	254	6461	88	2241	7.1	179.3	7.1	179
190	4826	244	6200	269	6820	93	2366	7.5	189.3	7.5	189
200	5080	257	6526	283	7179	98	2491	7.8	199.2	7.8	199

(a) Screen Size	16:9 image on a 4:3 Screen										
	(b) Projection distance				(c) Image height		(d) Vertical offset				
	min.		max.		min.		min.		max.		
60	1524	71	1797	78	1977	27	686	2.2	55	2.2	55
70	1778	83	2097	91	2306	32	800	2.5	64	2.5	64
80	2032	94	2396	104	2636	36	914	2.9	73	2.9	73
90	2286	106	2696	117	2965	41	1029	3.2	82	3.2	82
100	2540	118	2995	130	3295	45	1143	3.6	91	3.6	91
110	2794	130	3295	143	3624	50	1257	4.0	101	4.0	101
120	3048	142	3594	156	3954	54	1372	4.3	110	4.3	110
130	3302	153	3894	169	4283	59	1486	4.7	119	4.7	119
140	3556	165	4193	182	4613	63	1600	5.0	128	5.0	128
150	3810	177	4493	195	4942	68	1715	5.4	137	5.4	137
160	4064	189	4792	208	5272	72	1829	5.8	146	5.8	146
170	4318	200	5092	221	5601	77	1943	6.1	155	6.1	155
180	4572	212	5391	233	5930	81	2057	6.5	165	6.5	165
190	4826	224	5691	246	6260	86	2172	6.8	174	6.8	174
200	5080	236	5990	259	6589	90	2286	7.2	183	7.2	183

There is 3% tolerance among these numbers due to optical component variations. It is recommended that if you intend to permanently install the projector, you should physically test the projection size and distance using the actual projector in situ before you permanently install it, so as to make allowance for this projector's optical characteristics. This will help you determine the exact mounting position so that it best suits your installation location.

