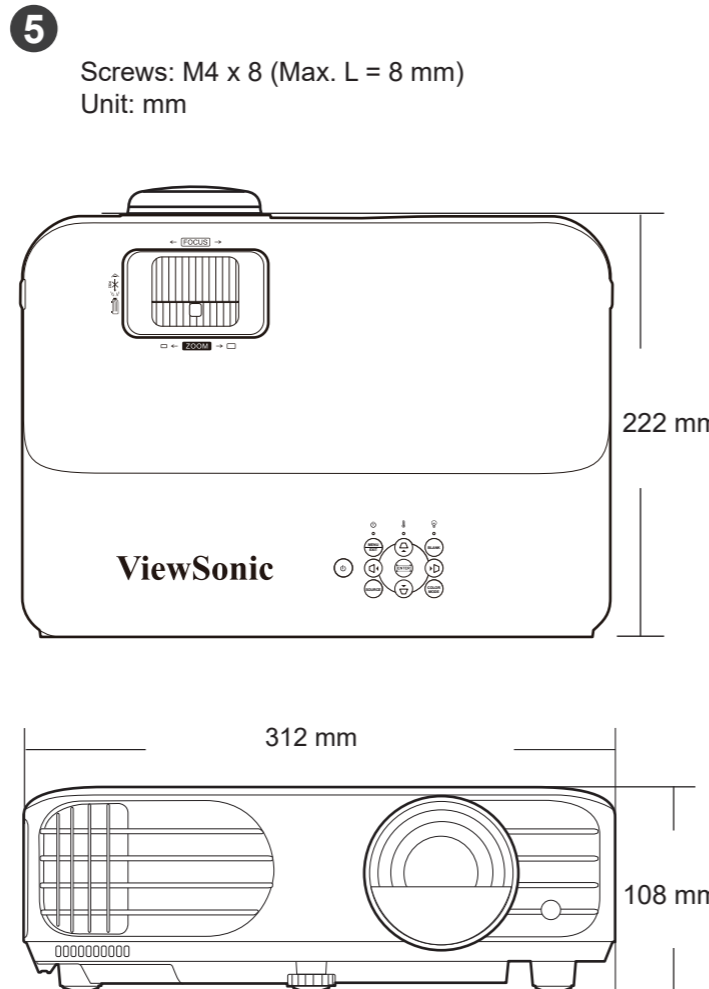
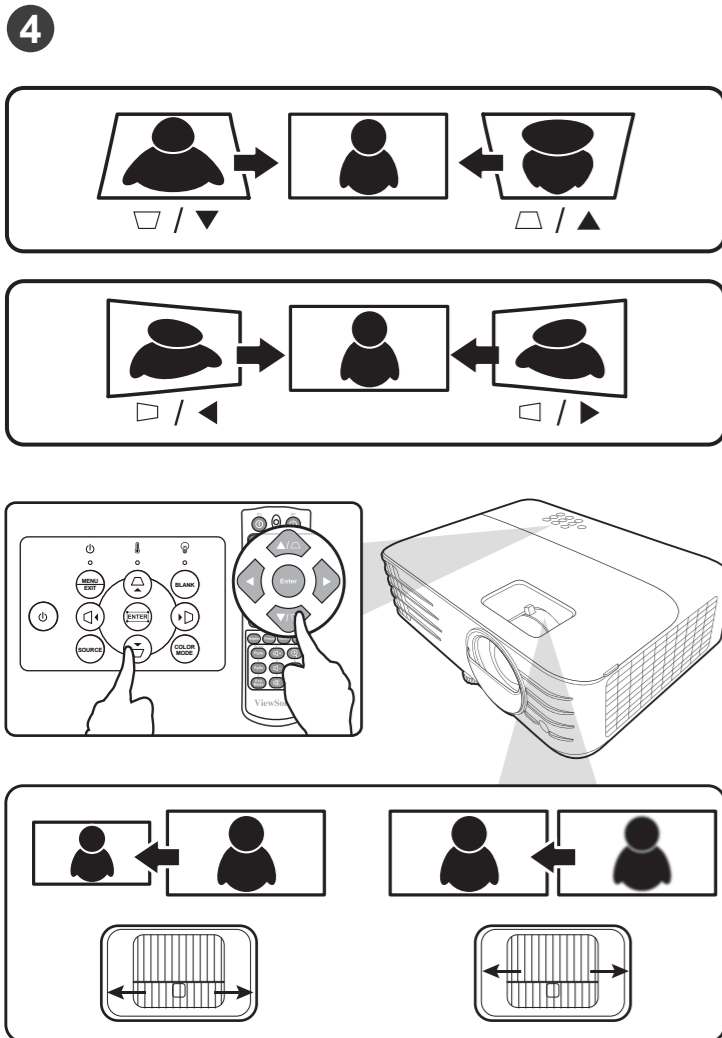
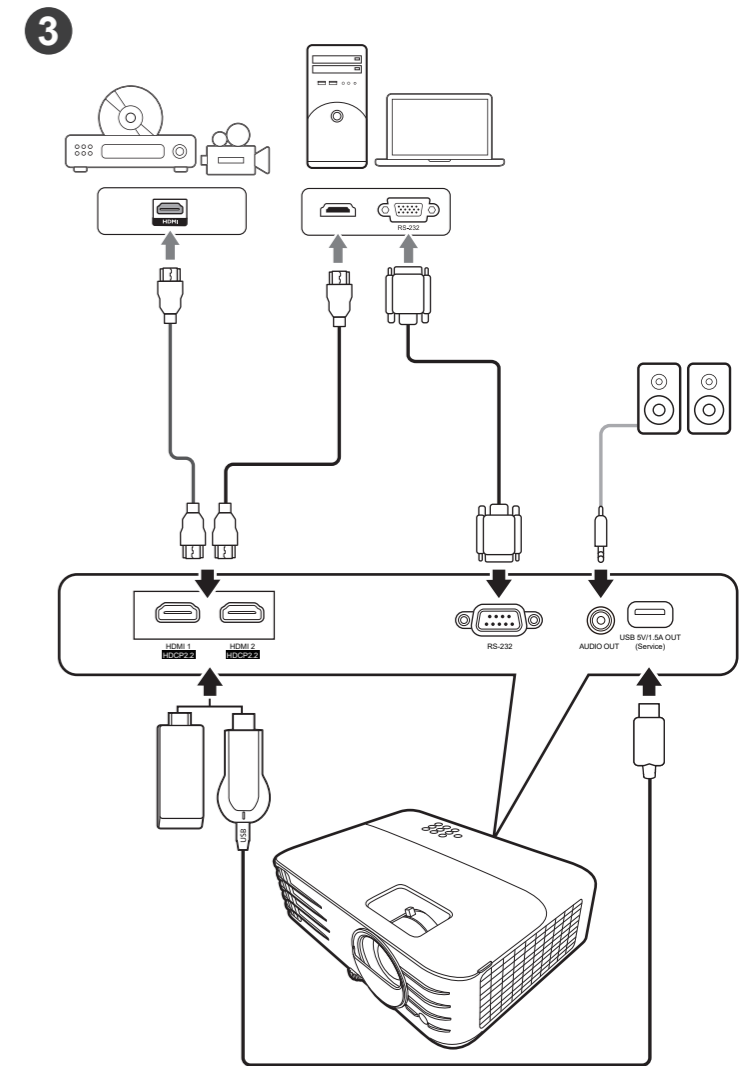
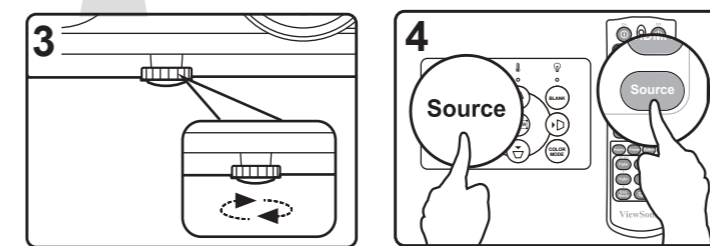
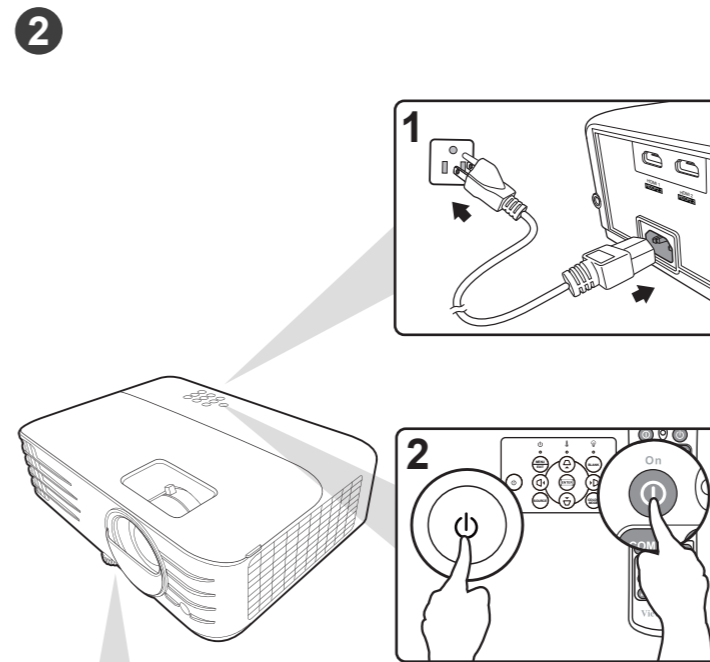
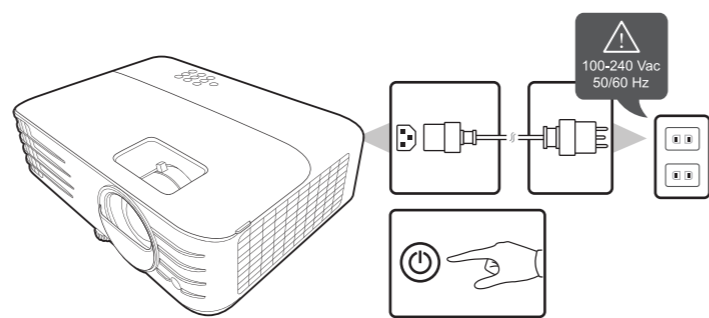


CPB701-4K

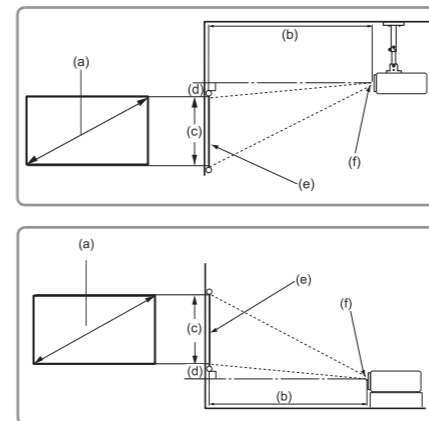
Home Projector

Quick Start Guide
 快速安装说明
 快速入門指南
 빠른 시작 가이드
 クイックスタートガイド
 Ръководство за бърз старт
 Vodič za brzo pokretanje
 Úvodní příručka
 Aan de slag
 Pika-aloitusopas
 Guide de démarrage rapide
 Schnellstarthandbuch
 Οδηγός γρήγορης εκκίνησης
 Első lépések
 Guida introduttiva

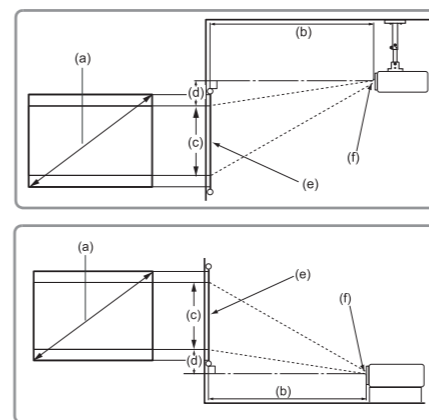
Przewodnik Szybki start
 Guia de Início Rápido
 Ghid de pornire rapidă
 краткое руководство по началу работы
 Vodič za brzi početak
 Příručka so stručným návodom
 Vodnik za hitri začetek
 Guía de inicio rápido
 Snabbstartsguide
 Hızlı Başlangıç Kılavuzu
 короткий посібник користувача
 Panduan Mulai Cepat
 دليل البدء السريع



• 16:9 image on a 16:9 screen



• 16:9 image on a 4:3 screen



(a) Screen Size		16:9 image on a 16:9 Screen											
		(b) Projection distance				(c) Image height				(d) Vertical offset			
inch	mm	min.		max.		min.		max.		min.		max.	
60	1524	78.6	1995.8	86.4	2195.4	29.4	747.2	2.9	74.7	2.9	74.7		
70	1778	91.7	2328.4	100.8	2561.3	34.3	871.7	3.4	87.2	3.4	87.2		
80	2032	104.8	2661.1	115.2	2927.2	39.2	996.2	3.9	99.6	3.9	99.6		
90	2286	117.9	2993.7	129.6	3293.1	44.1	1120.7	4.4	112.1	4.4	112.1		
100	2540	131.0	3326.3	144.1	3658.9	49.0	1245.3	4.9	124.5	4.9	124.5		
110	2794	144.1	3658.9	158.5	4024.8	53.9	1369.8	5.4	137.0	5.4	137.0		
120	3048	157.1	3991.6	172.9	4390.7	58.8	1494.3	5.9	149.4	5.9	149.4		
130	3302	170.2	4324.2	187.3	4756.6	63.7	1618.8	6.4	161.9	6.4	161.9		
140	3556	183.3	4656.8	201.7	5122.5	68.6	1743.4	6.9	174.3	6.9	174.3		
150	3810	196.4	4989.5	216.1	5488.4	73.5	1867.9	7.4	186.8	7.4	186.8		
160	4064	209.5	5322.1	230.5	5854.3	78.4	1992.4	7.8	199.2	7.8	199.2		
170	4318	222.6	5654.7	244.9	6220.2	83.3	2116.9	8.3	211.7	8.3	211.7		
180	4572	235.7	5987.4	259.3	6586.1	88.2	2241.5	8.8	224.1	8.8	224.1		
190	4826	248.8	6320.0	273.7	6952.0	93.1	2366.0	9.3	236.6	9.3	236.6		
200	5080	261.9	6652.6	288.1	7317.9	98.1	2490.5	9.8	249.1	9.8	249.1		

(a) Screen Size		16:9 image on a 4:3 Screen											
		(b) Projection distance				(c) Image height				(d) Vertical offset			
inch	mm	min.		max.		min.		max.		min.		max.	
60	1524	72	1831.9	79	2015.1	27.0	685.8	2.7	68.6	2.7	68.6		
70	1778	84	2137.2	93	2350.9	31.5	800.1	3.2	80.0	3.2	80.0		
80	2032	96	2442.5	106	2686.8	36.0	914.4	3.6	91.4	3.6	91.4		
90	2286	108	2747.8	119	3022.6	40.5	1028.7	4.1	102.9	4.1	102.9		
100	2540	120	3053.2	132	3358.5	45.0	1143.0	4.5	114.3	4.5	114.3		
110	2794	132	3358.5	145	3694.3	49.5	1257.3	5.0	125.7	5.0	125.7		
120	3048	144	3663.8	159	4030.2	54.0	1371.6	5.4	137.2	5.4	137.2		
130	3302	156	3969.1	172	4366.0	58.5	1485.9	5.9	148.6	5.9	148.6		
140	3556	168	4274.4	185	4701.9	63.0	1600.2	6.3	160.0	6.3	160.0		
150	3810	180	4579.7	198	5037.7	67.5	1714.5	6.8	171.5	6.8	171.5		
160	4064	192	4885.0	212	5373.5	72.0	1828.8	7.2	182.9	7.2	182.9		
170	4318	204	5190.4	225	5709.4	76.5	1943.1	7.7	194.3	7.7	194.3		
180	4572	216	5495.7	238	6045.2	81.0	2057.4	8.1	205.7	8.1	205.7		
190	4826	228	5801.0	251	6381.1	85.5	2171.7	8.6	217.2	8.6	217.2		
200	5080	240	6106.3	264	6716.9	90.0	2286.0	9.0	228.6	9.0	228.6		

There is 3% tolerance among these numbers due to optical component variations. It is recommended that if you intend to permanently install the projector, you should physically test the projection size and distance using the actual projector in situ before you permanently install it, so as to make allowance for this projector's optical characteristics. This will help you determine the exact mounting position so that it best suits your installation location.

