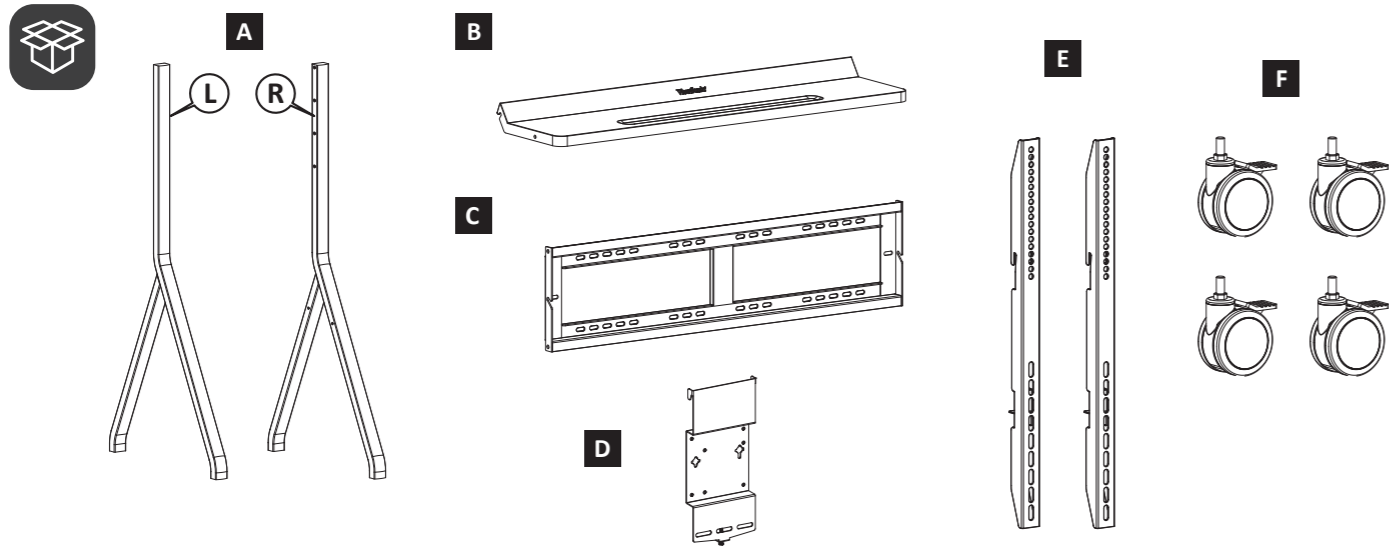
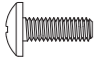
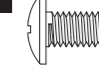
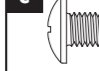




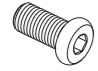
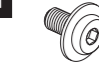






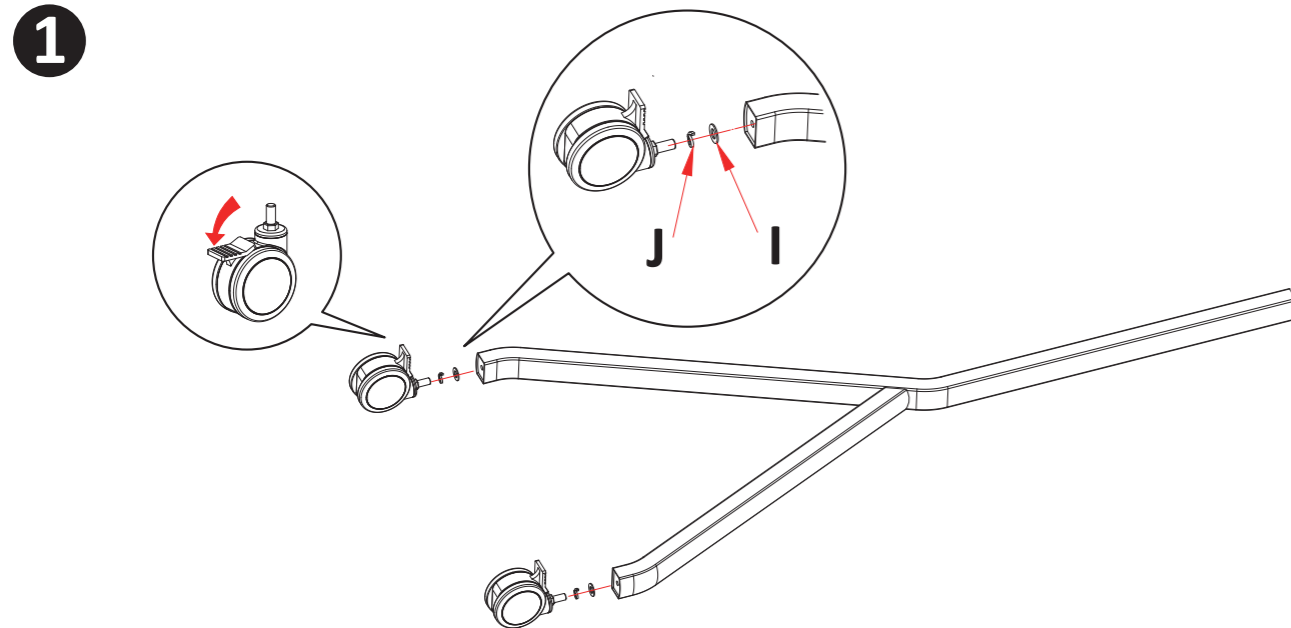
VB-STND-009/VB-STND-009-1B

Quick Start Guide

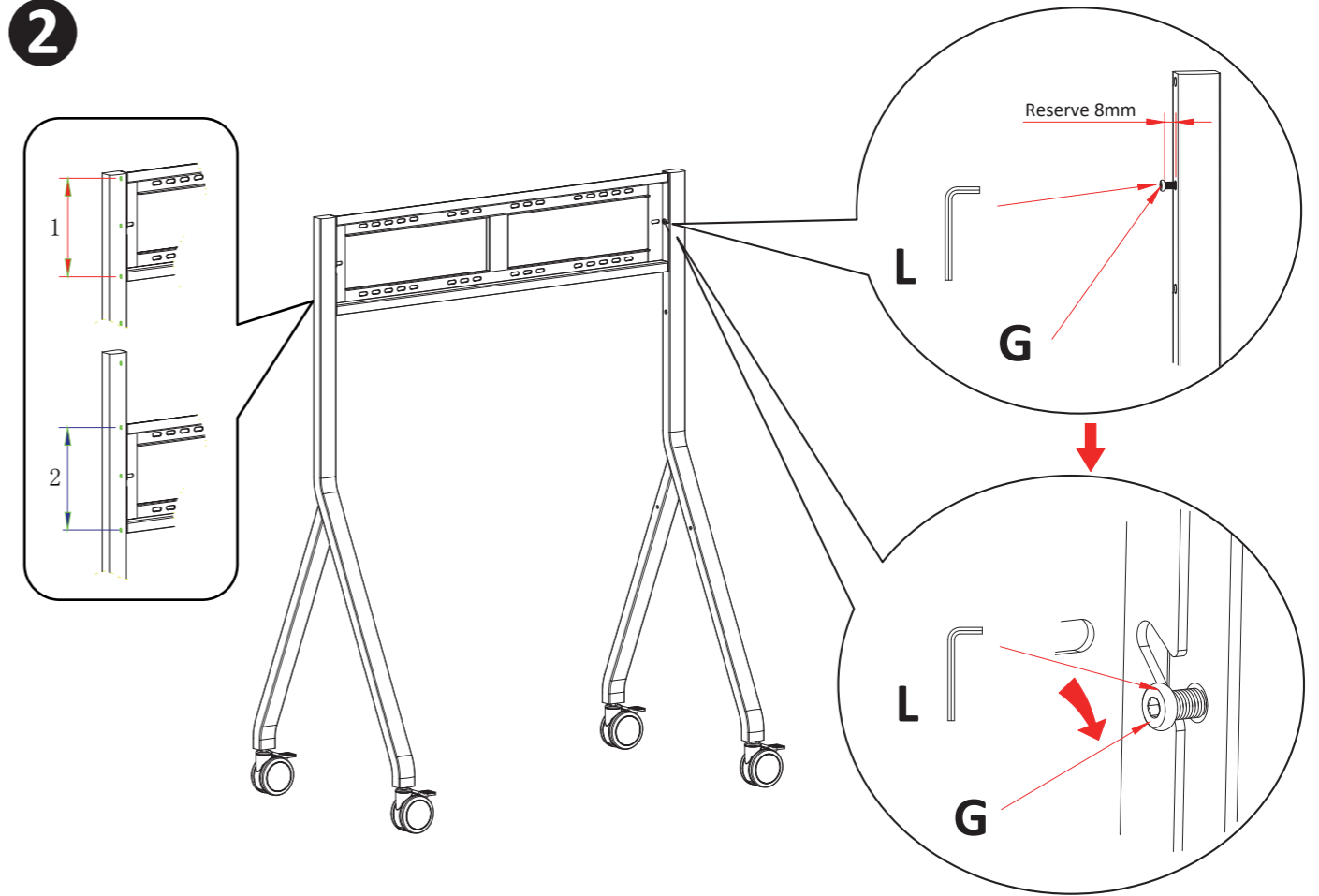


a	b	c	d	e	f	g
						
(M4x12mm) x 4	(M6x25mm) x 4	(M8x35mm) x 4	(\varnothing 18x8.5x10mm) x 4	(\varnothing 18x9x2.5mm) x 8	M5 x 4	M6 x 4

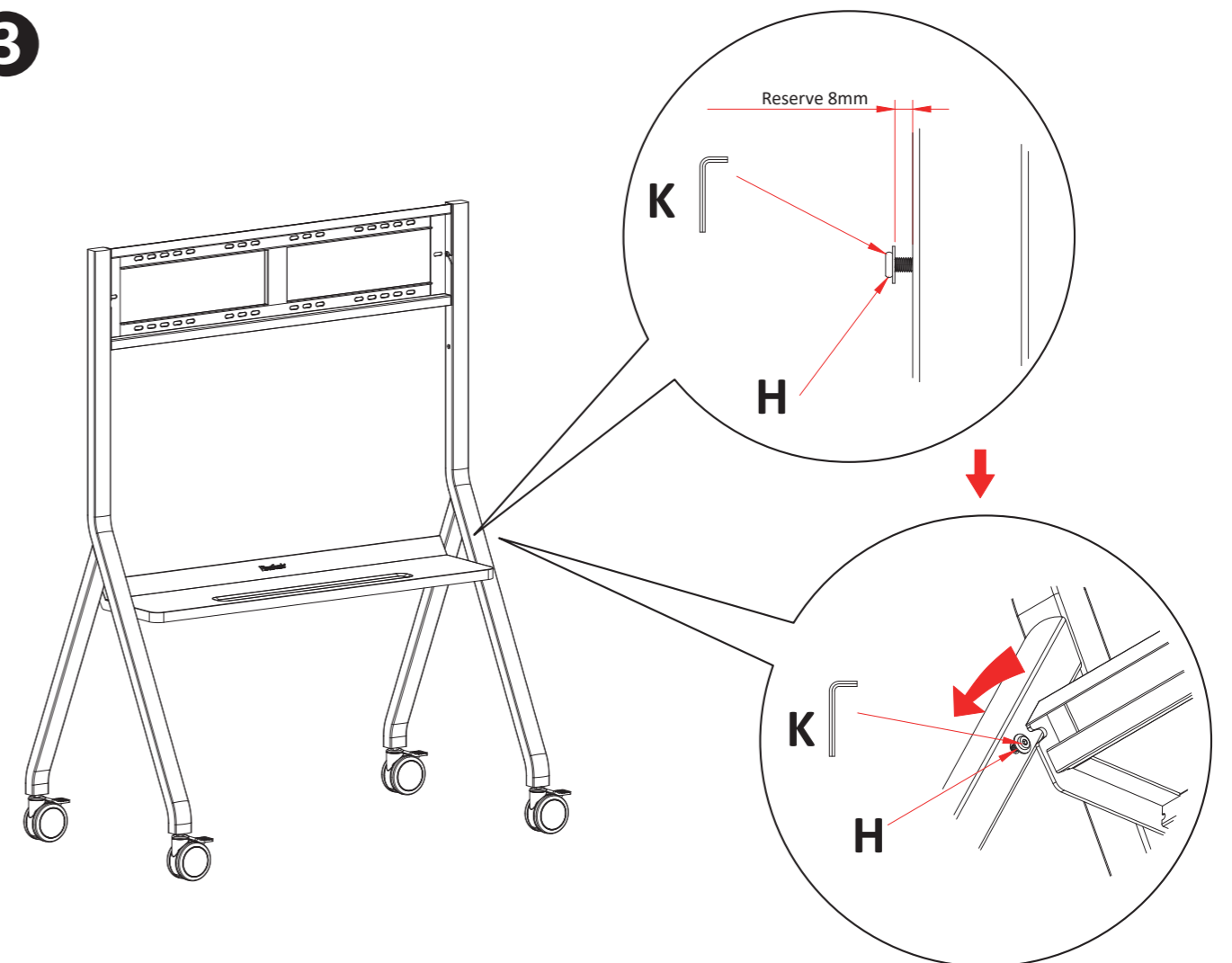
G	H	I	J	K	L
					
(M8x16mm) x 6	(M6x12mm) x 4	(24x12.5x1.5mm) x 4	(20x \varnothing 12.5x3.1mm) x 4	4mm x 1	5mm x 1



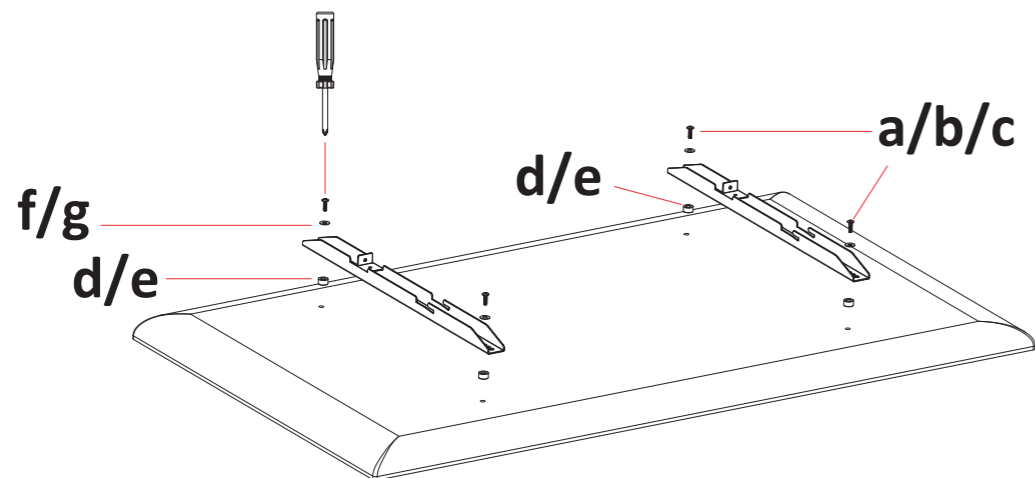
2



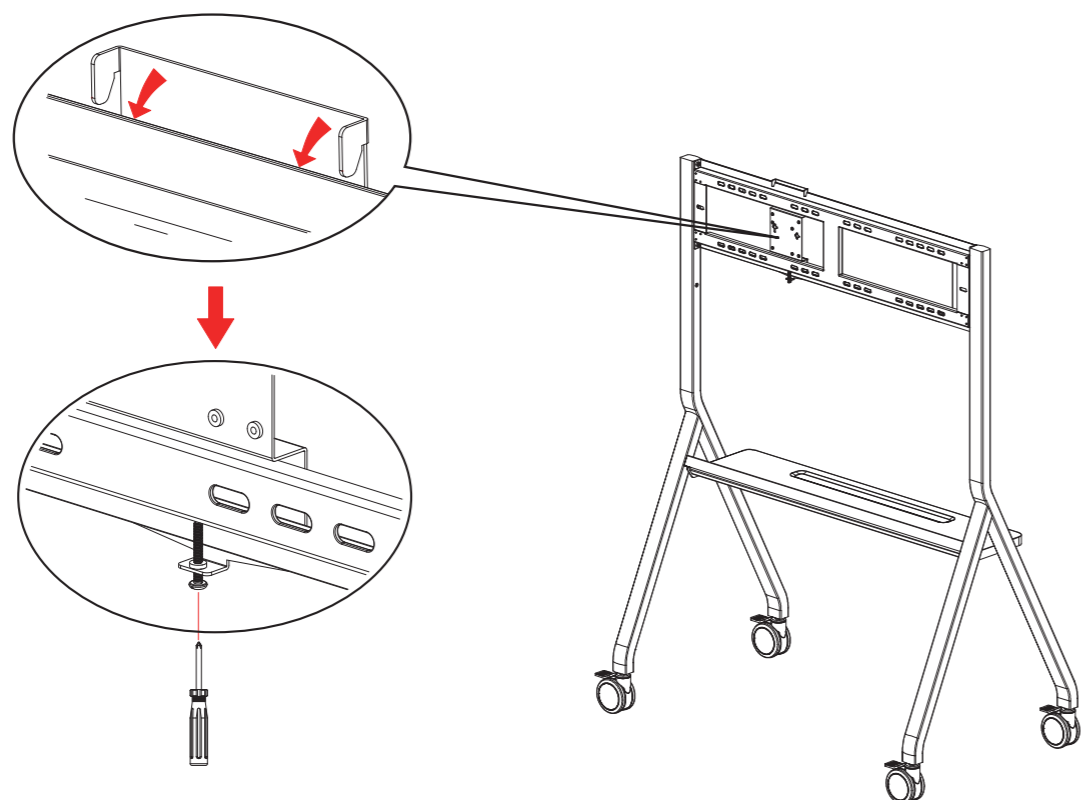
3



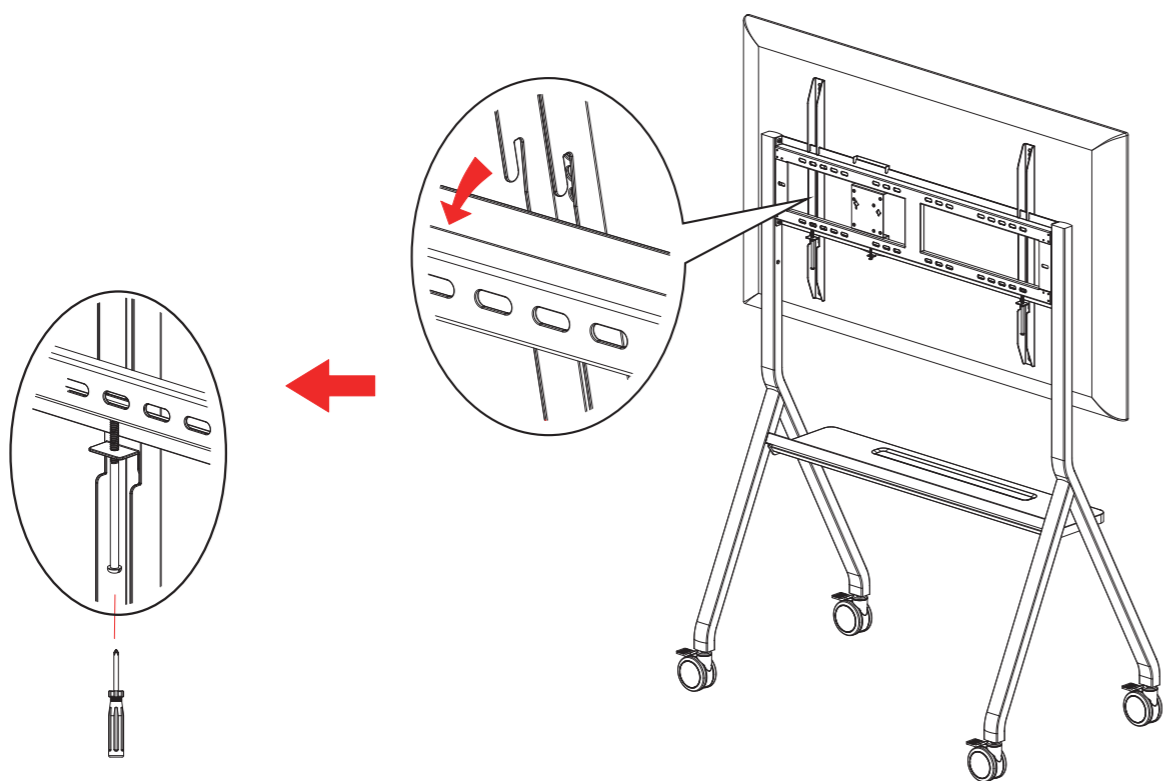
4



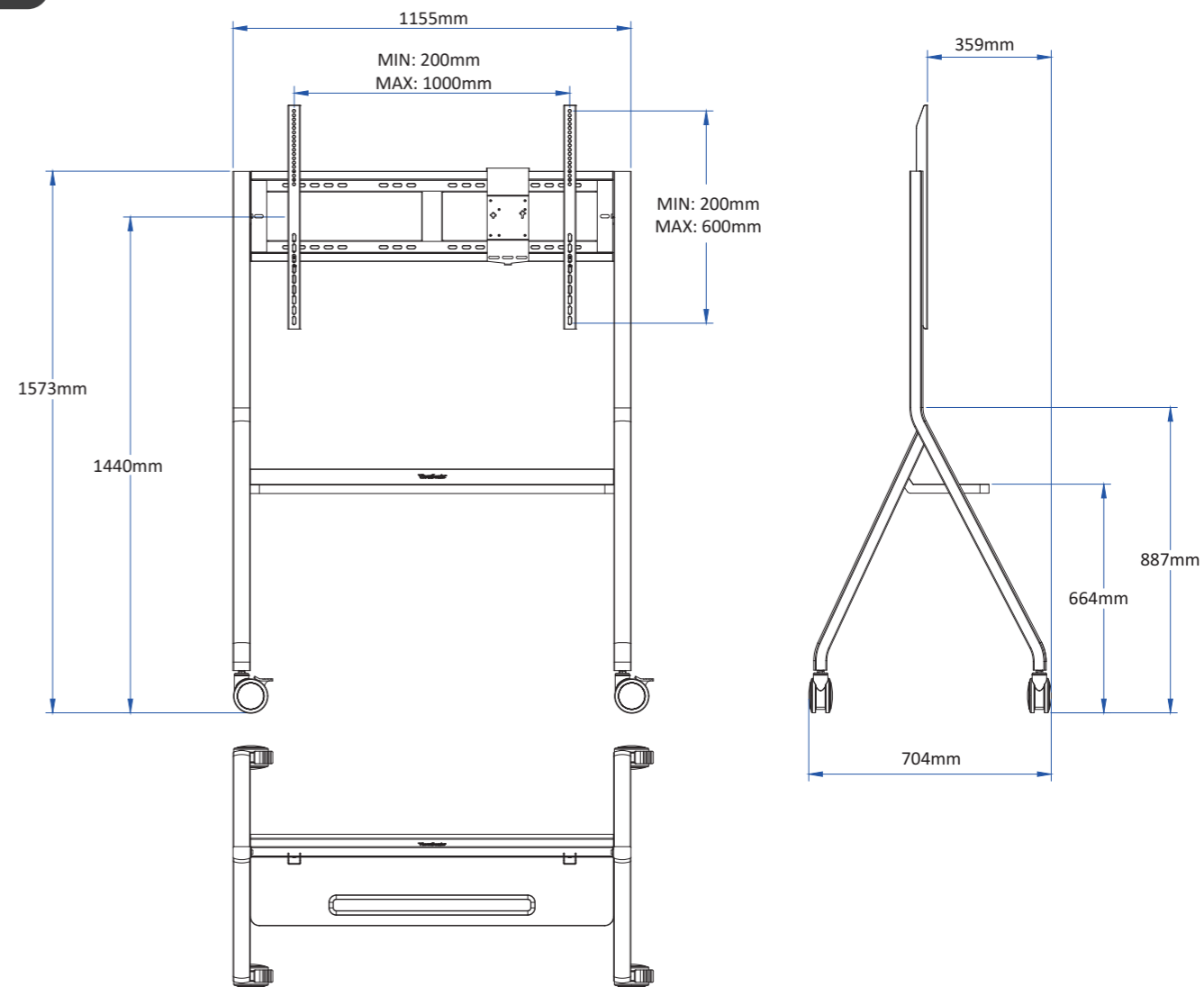
5



6



i



WARNING

- ⚠ **WARNING** - For use with televisions(Display) weighing 264.6 lbs (120 Kg)& Max 105" Display or less, Pallet load shall not exceed 33 lbs (15KG). Use with heavier televisions may result in instability causing tip over resulting in death or serious injury.
- ⚠ **WARNING** - Use a television(Display) that is less than 1-3 inches thick ,otherwise there is a risk of death or serious injury.
- ⚠ **WARNING** - Death or serious injury may occur when children climb on audio and/or video equipment furniture. A remote control or toys placed on the furnishing may encourage a child to climb on the furnishing and as a result the furnishing may tip over on to the child.
- ⚠ **WARNING** - Relocating audio and/or video equipment to furniture not specifically designed to support audio and/or video equipment may result in death or serious injury due to the furnishing collapsing or over turning onto a child.

ViewSonic Corporation
 14035 Pipeline Ave. Chino, CA 91710, USA
ViewSonic Europe Ltd.
 (UK) Miles Yard, 10 Miles Street London SW8 1GX, United Kingdom
 (NL) Haaksbergweg 75, 1101 BR, Amsterdam
 Corporate names, trademarks stated herein are the property of their respective companies. Copyright © 2024 ViewSonic Corporation. All rights reserved
www.viewsonic.com



VB-STND-009



www.viewsonic.com