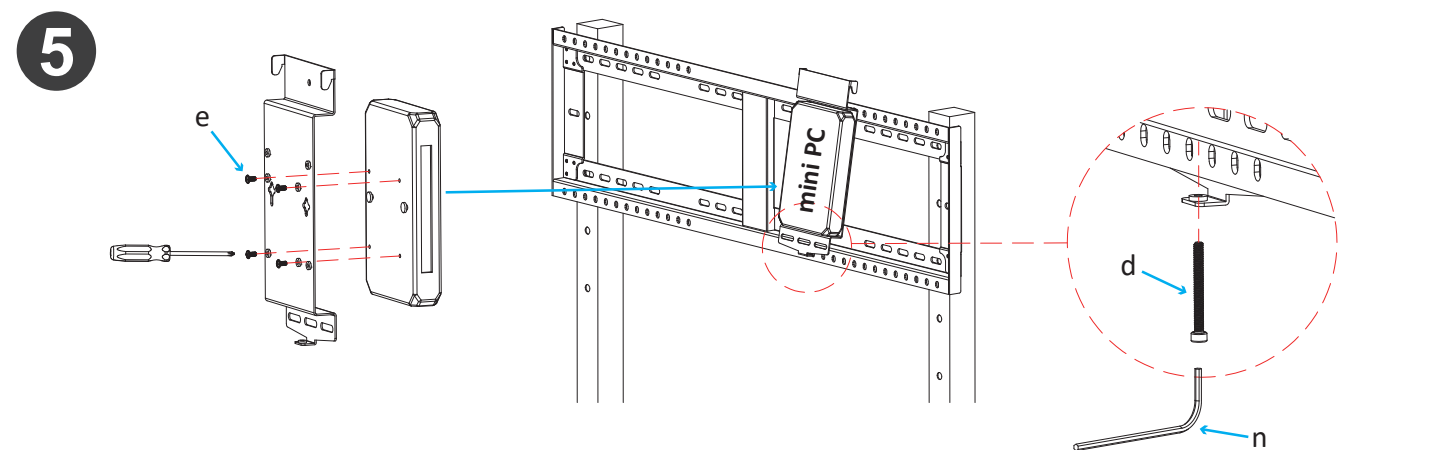
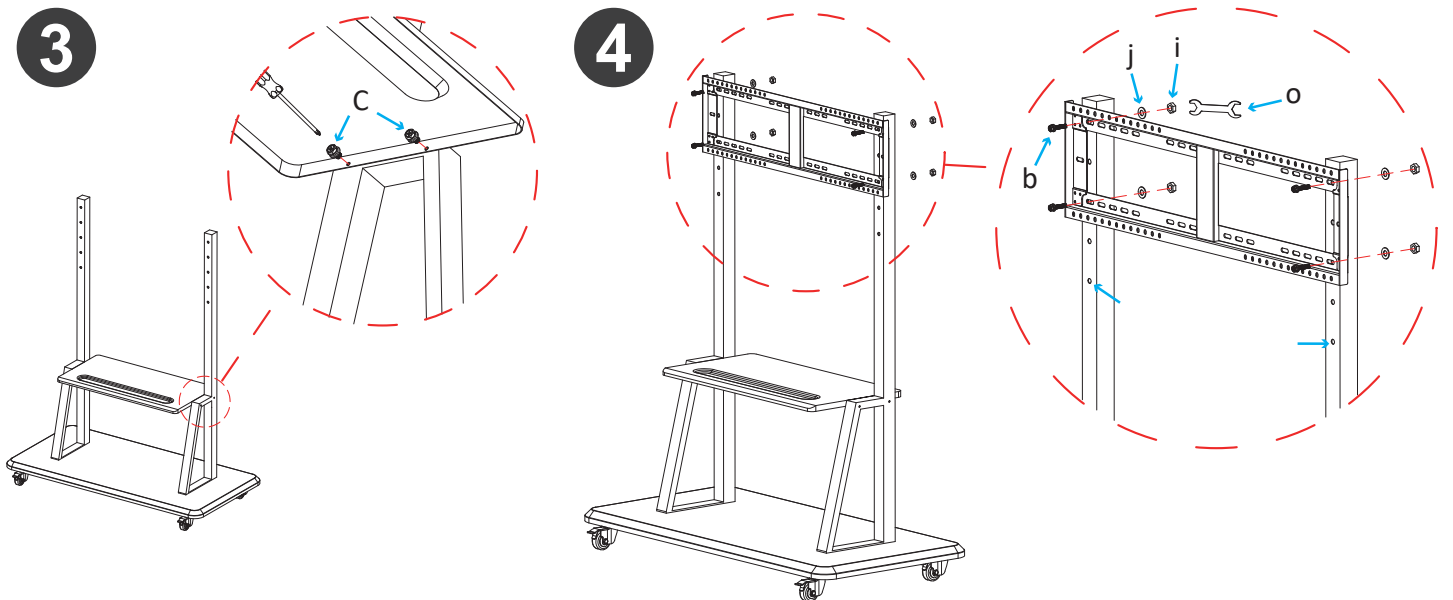
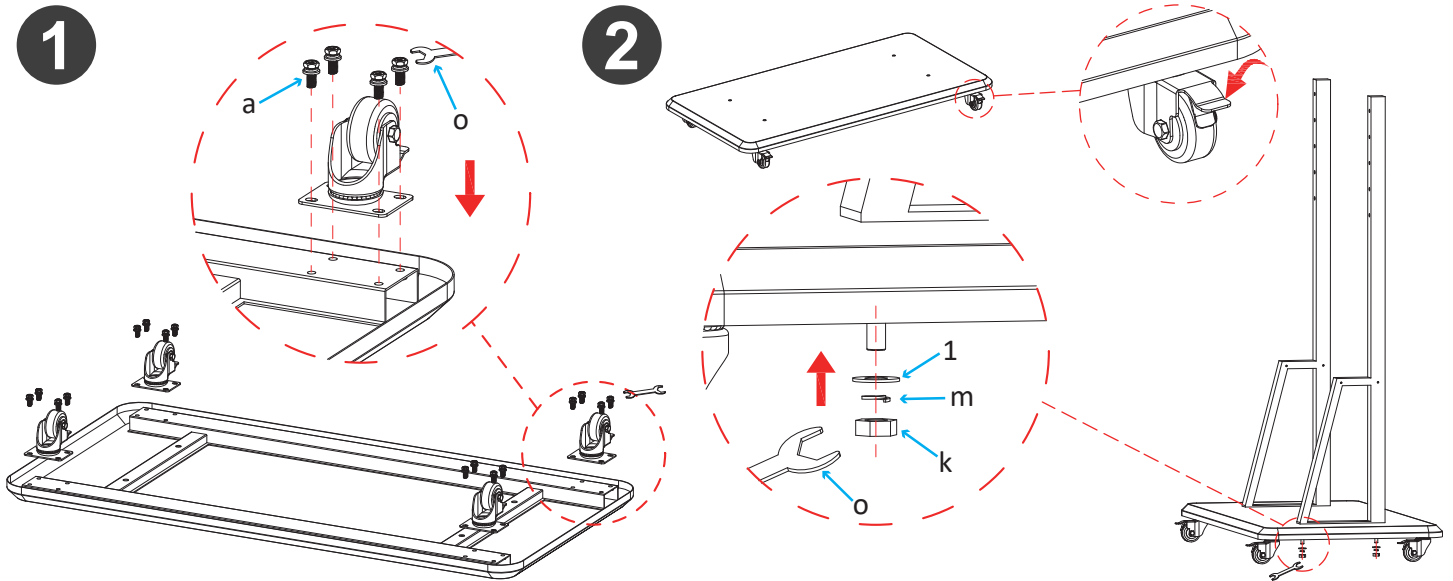


VB-STND-001-2C

Movable Stand

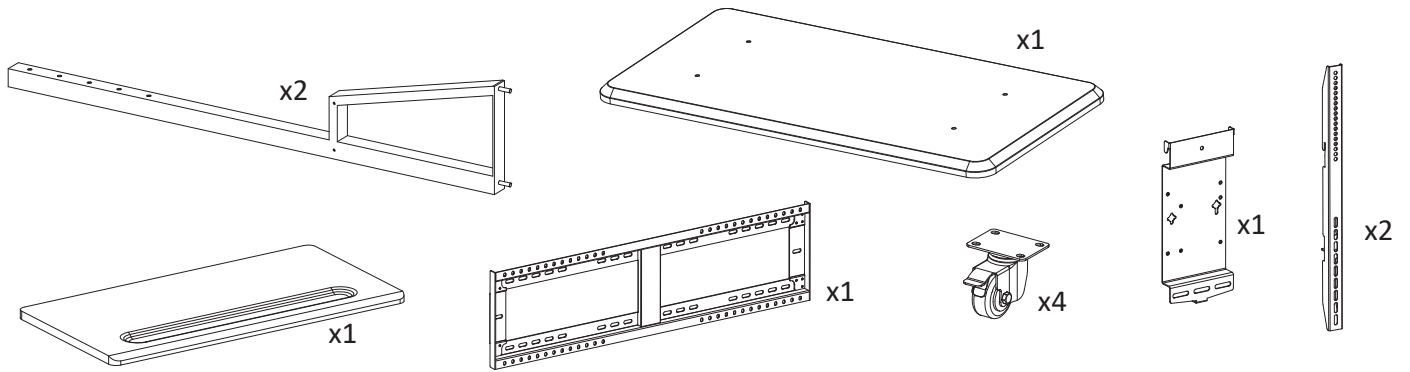
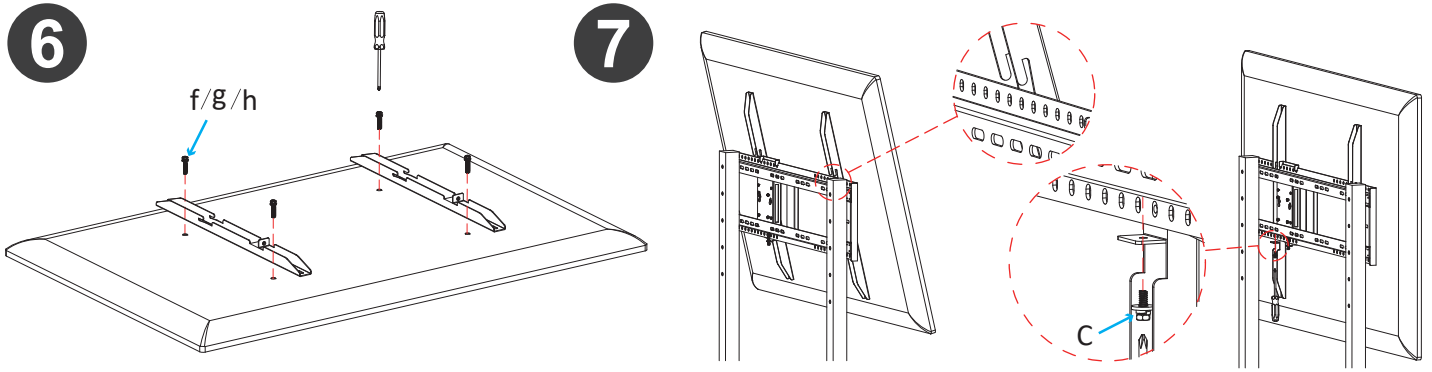
Quick Start Guide

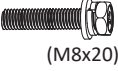
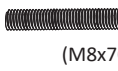

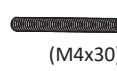



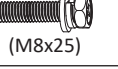

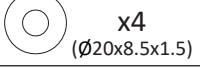
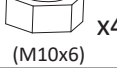
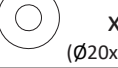


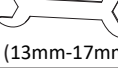


VB-STND-001-2C

Movable Stand

Quick Start Guide



a  x16 (M8x20)	b  x4 (M8x70)	c  x6 (M5x20)	d  x1 (M4x30)	e  x4 (M4x8)
f  x4 (M5x25)	g  x4 (M6x25)	h  x4 (M8x25)	i  x4 (M8x6)	j  x4 (Ø20x8.5x1.5)
k  x4 (M10x6)	l  x4 (Ø20x10x1.5)	m  x4 (M10)	n  x1 (3mm)	o  x1 (13mm-17mm)



Asia Pacific & Africa				Americas			
Australia	www.viewsonic.com/au/	Bangladesh	www.viewsonic.com/bd/	United States	www.viewsonic.com/us 1-800-688-6688	Canada	www.viewsonic.com/us 1-866-463-4775
中国 (China)	www.viewsonic.com.cn 4008 988 188	香港 (繁體中文)	www.viewsonic.com/hk/	Latin America	www.viewsonic.com/la		
Hong Kong (English)	www.viewsonic.com/hk-en/	India	www.viewsonic.com/in/	Europe			
Indonesia	www.viewsonic.com/id/	Israel	www.viewsonic.com/il/	Europe	www.viewsonic.com/eu/	+49-0821-45057383	
日本 (Japan)	www.viewsonic.com/jp/	한국	www.viewsonic.com/kr/	Deutschland	www.viewsonic.com/de/		
Malaysia	www.viewsonic.com/my/	Middle East	www.viewsonic.com/me/	Россия	www.viewsonic.com/ru/		
Myanmar	www.viewsonic.com/mm/	Nepal	www.viewsonic.com/np/	Türkiye	www.viewsonic.com/tr/		
New Zealand	www.viewsonic.com/nz/	Pakistan	www.viewsonic.com/pk/	United Kingdom	www.viewsonic.com/uk/		
Philippines	www.viewsonic.com/ph/	Singapore	www.viewsonic.com/sg/	France	www.viewsonic.com/fr/		
臺灣 (Taiwan)	www.viewsonic.com/tw/	ประเทศไทย	www.viewsonic.com/th/	Қазақстан	www.viewsonic.com/kz/		
Việt Nam	www.viewsonic.com/vn/	South Africa & Mauritius	www.viewsonic.com/za/	España	www.viewsonic.com/es/		
				Україна	www.viewsonic.com/ua/		

"CAUTION"

"This unit is intended for use with a product weighing not more than 100kg and having dimensions that will permit it to sit evenly on this shelf. (See QSG.) Use with other products may result in the collapse of the mount and its accessories causing possible injury"