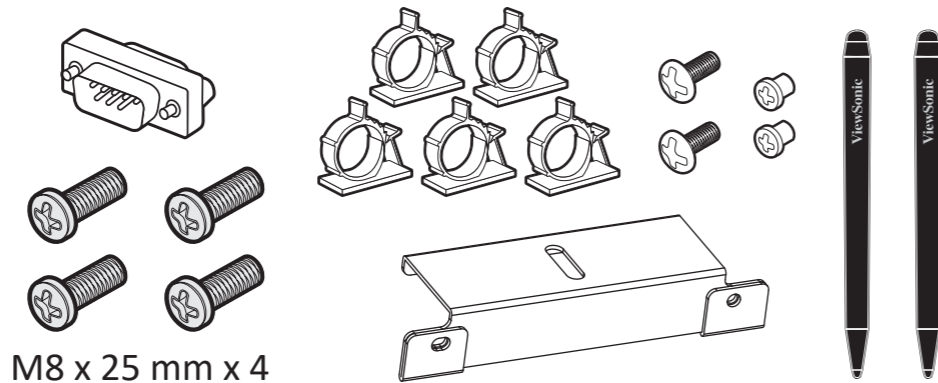
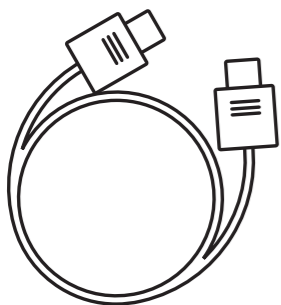
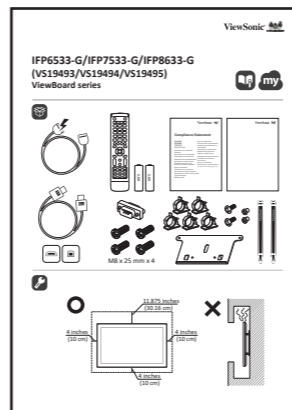
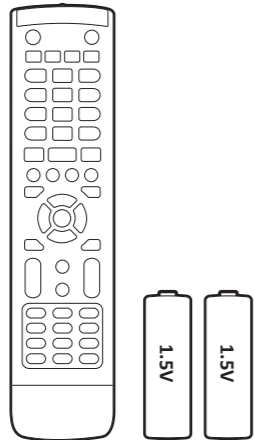
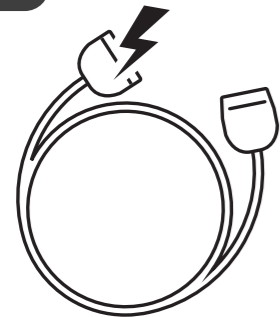


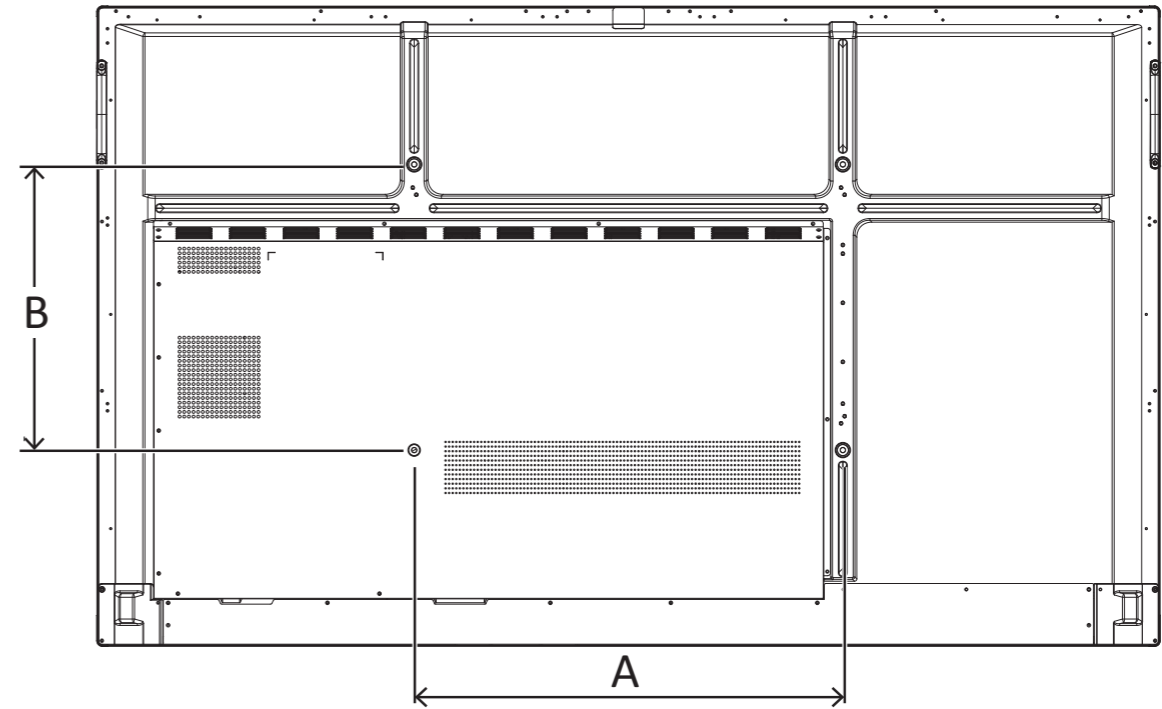
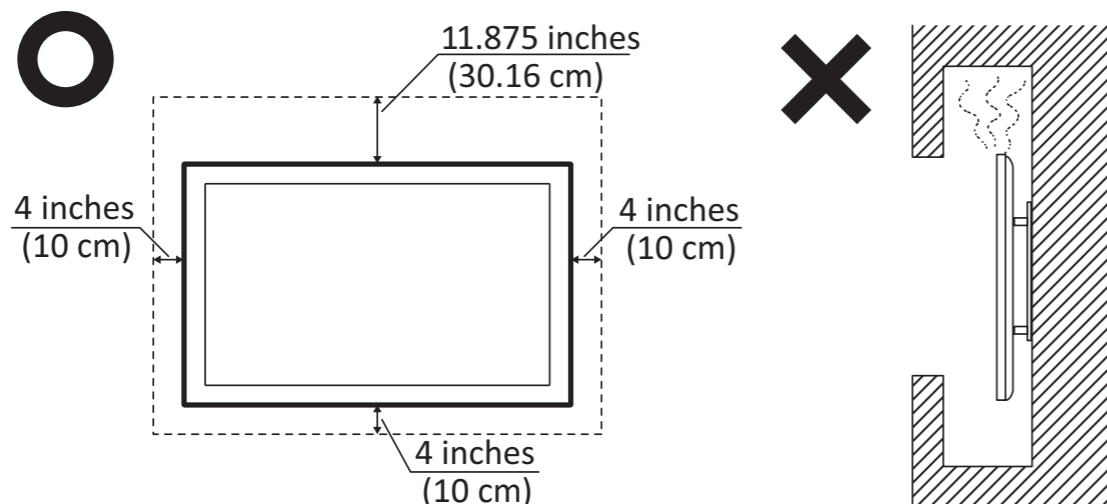
IFP6533-G/IFP7533-G/IFP8633-G

(VS19493/VS19494/VS19495)

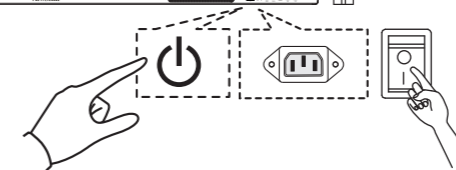
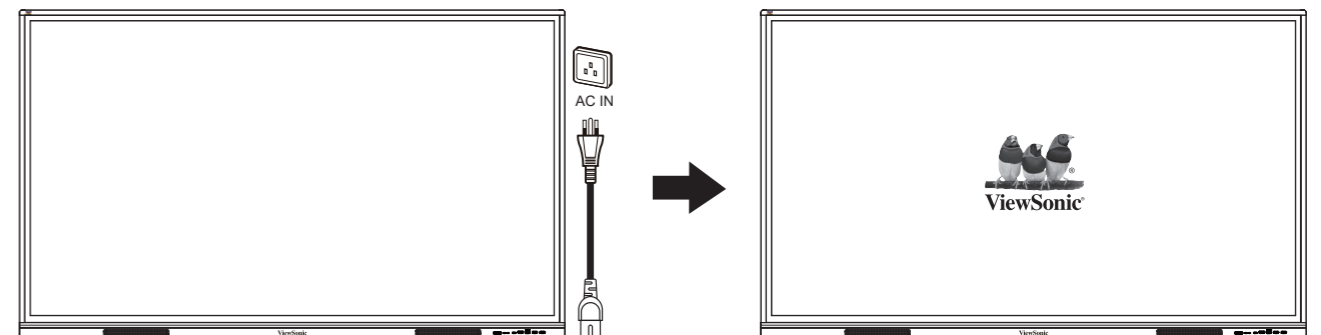
ViewBoard series



M8 x 25 mm x 4



| | |
|---------------|----------------------|
| IFP6533 - 65" | 600 x 400 mm (A x B) |
| IFP7533 - 75" | 800 x 400 mm (A x B) |
| IFP8633 - 86" | 800 x 600 mm (A x B) |



IFP33-G Series



Support Center



www.viewsonic.com

ViewSonic Europe Limited
Haaksbergweg 75
1101 BR Amsterdam
Netherlands

+31 (0) 650608655

EPREL@viewsoniceurope.com

<https://www.viewsonic.com/eu/>



IFP33-G_QSG_1a_20240416

Copyright © 2024 ViewSonic Corporation. All rights reserved.