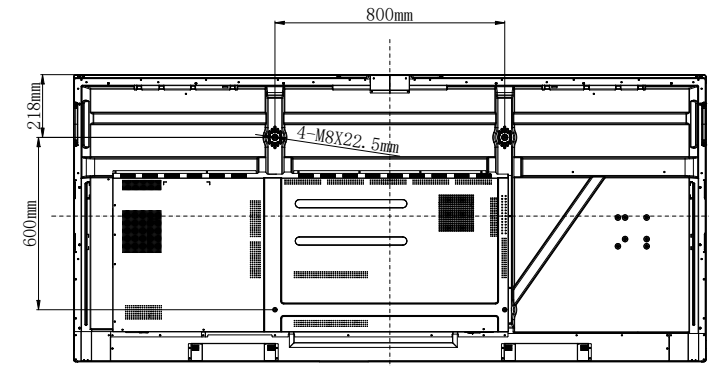
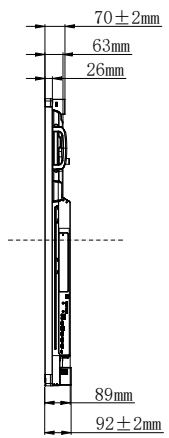
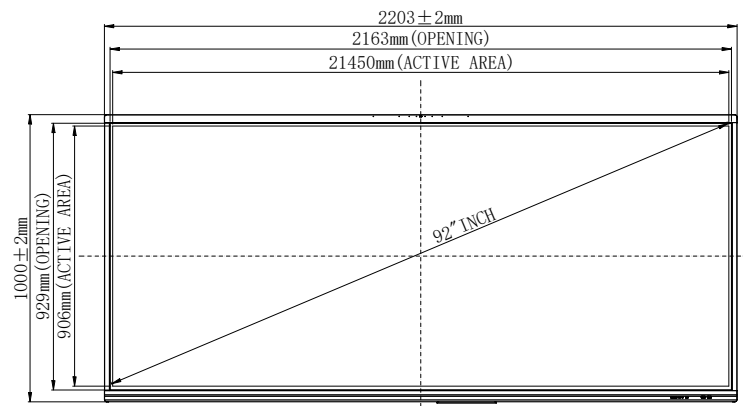
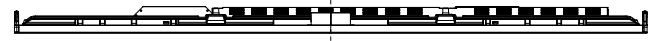
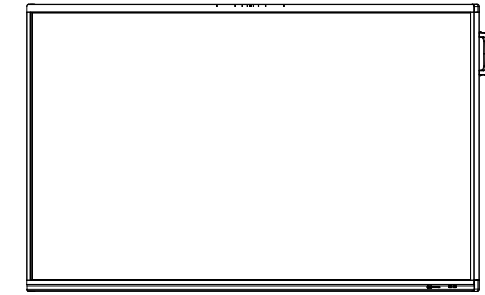


6	7	8
Sign	VER	Date
\	1.0	\
△	\	\
△	\	\
△	\	\

Change Description		Designer
初版发行		\
		\



TOLERANCES (Unless Otherwise Stated)	
尺寸范围	公差
≤63	±0.10
63<x≤160	±0.15
160<x≤400	±0.20
400<x≤1000	±0.25
>1000	±0.3
Angle	±0.5°

本公差适用于钣金开模件
 Third Projection

广州视睿电子科技有限公司 Guangzhou Shirui Electronics Co., Ltd.				
Project NO.	EK92GA-CS1188A-G	Unit	mm	NOTES
Part NO.	EK92GA-CS1188A-G-M100	Scale	1:1	
Part Name	整机六视图(不带壁挂)	Size	free	
Material	/	Pages	1/1	
Color NO.	/	APV		
Designer	豆鑫			