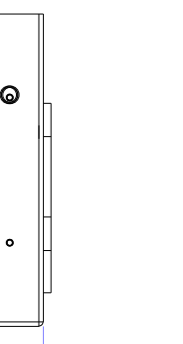
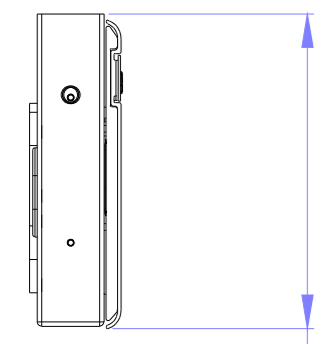
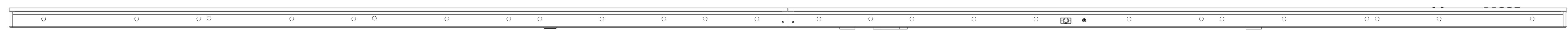


37.5 [1.48]



140.9 [5.55]

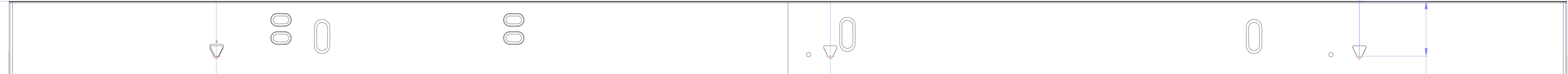


401 [15.79]

1023 [40.28]

401 [15.79]

140.9 [5.55]



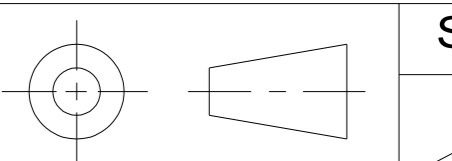
1187 [46.73]

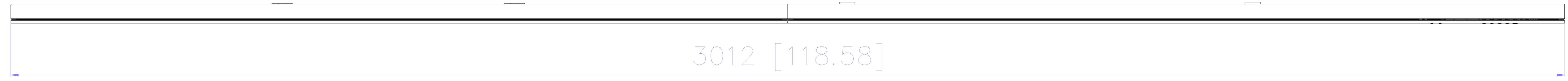
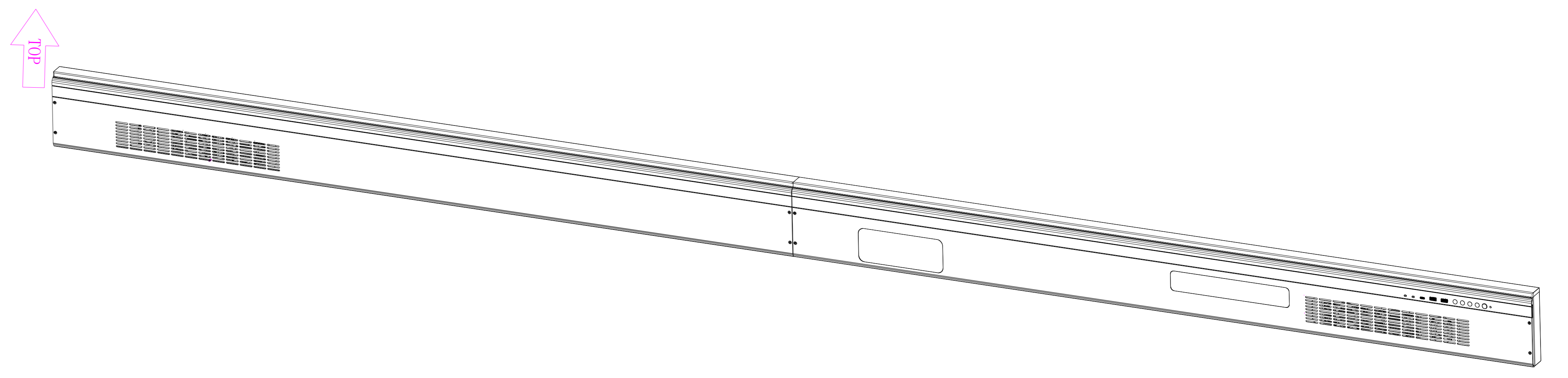
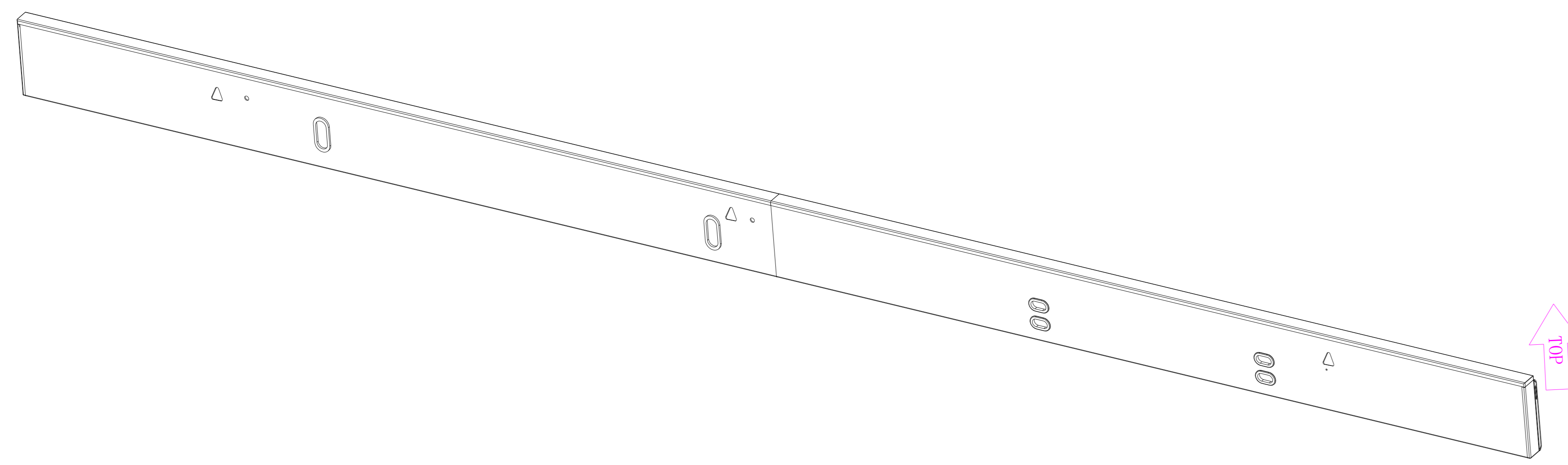
106 [4.17]



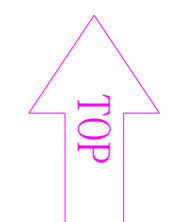
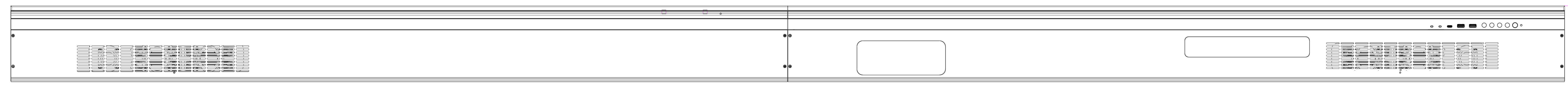
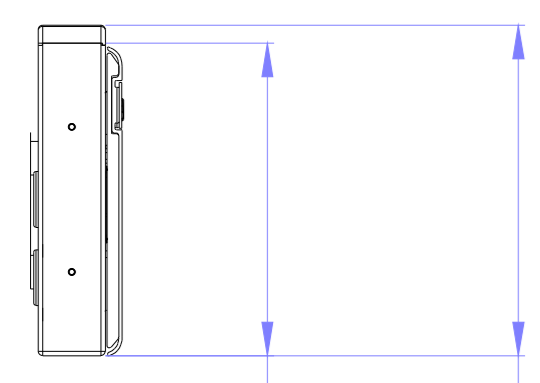
NAME : LD-SCB-011/021

TITLE	Rev.
UNIT	SCALE
mm / inch	1 OF 1



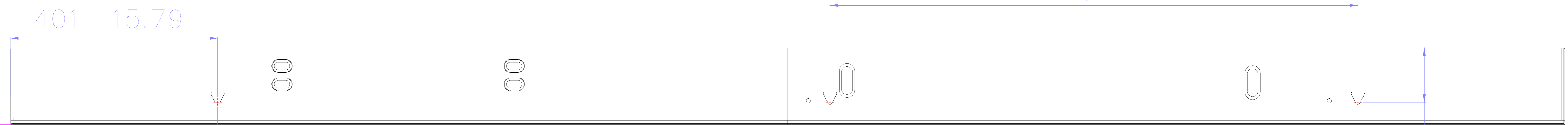
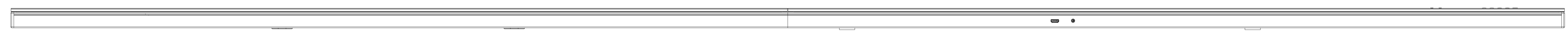


3012 [118.58]



140 [5.51]
148 [5.83]

37.5 [1.48]

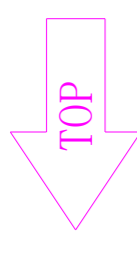


401 [15.79]

1023 [40.28]

1187 [46.73]

105 [4.13]



NAME : LD-SCB-011/021

TITLE	With LD-MISC-003	Rev.
UNIT	SCALE	SHEET
mm / inch		1 OF 1