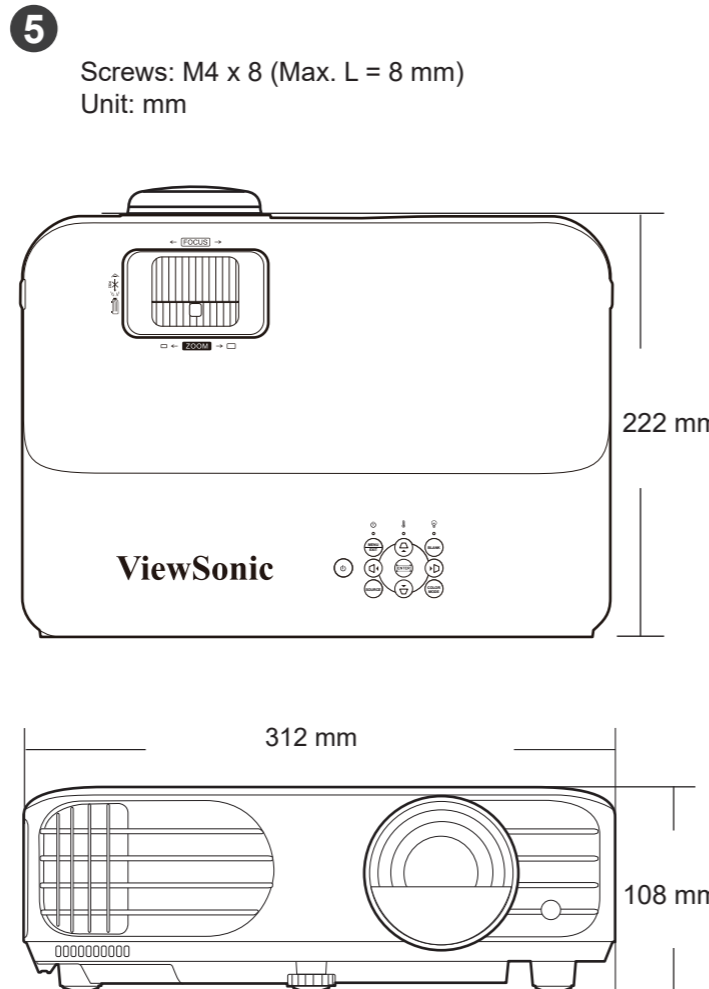
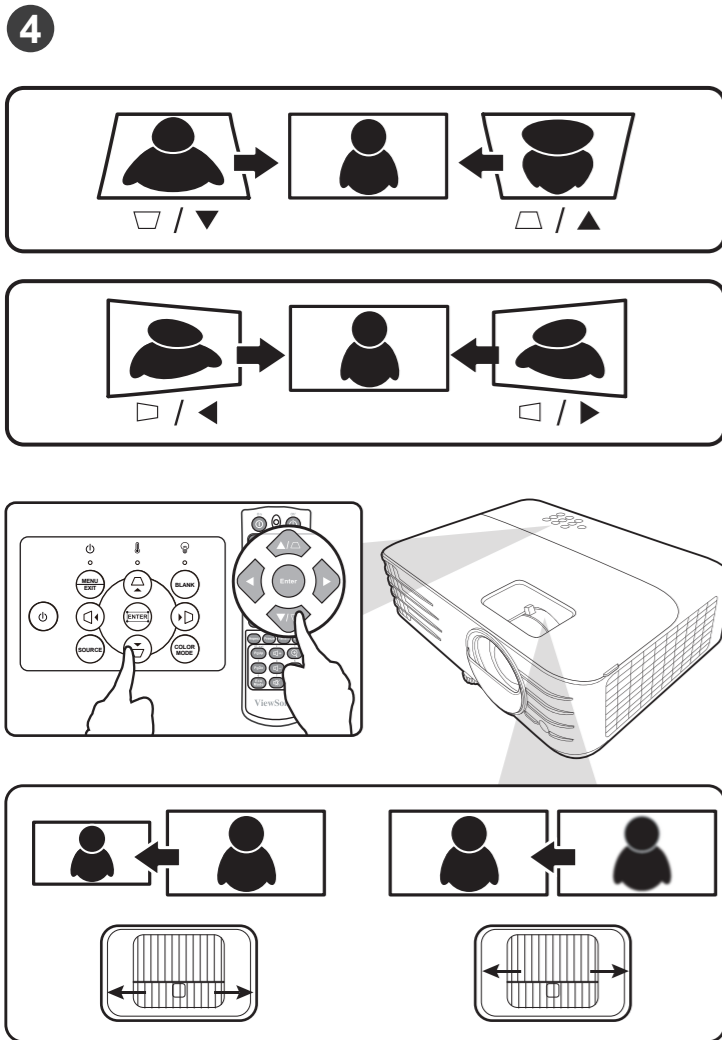
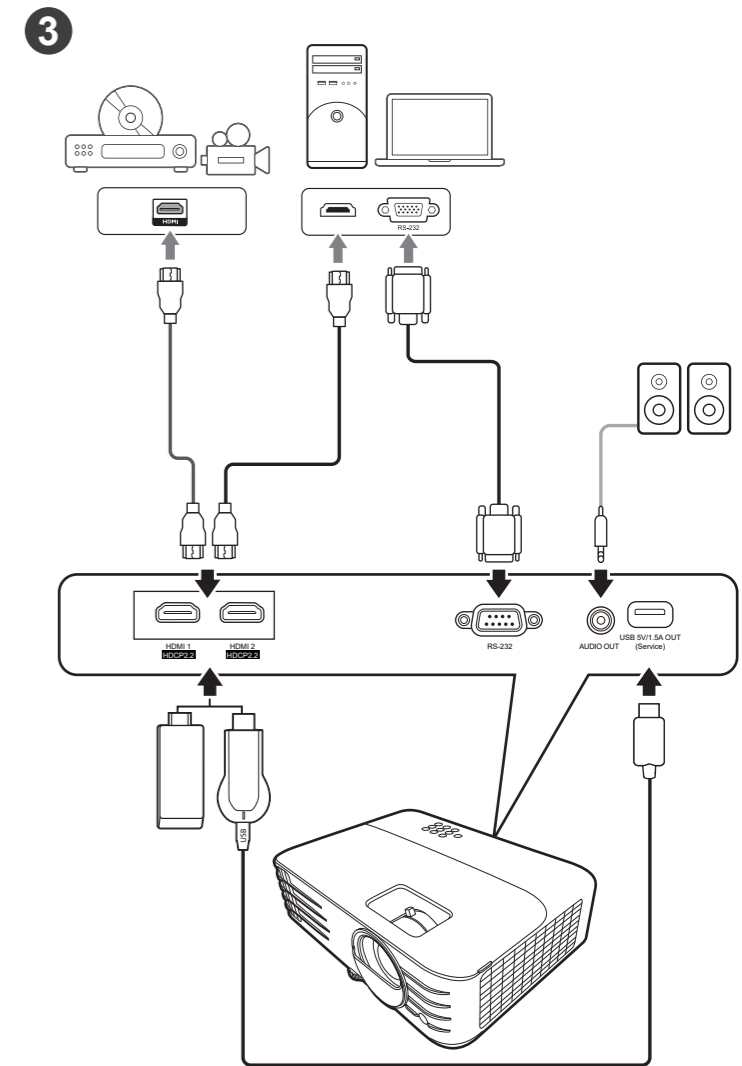
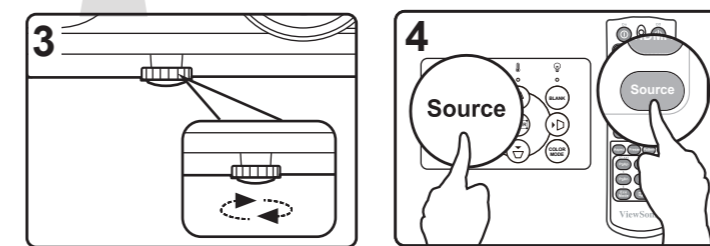
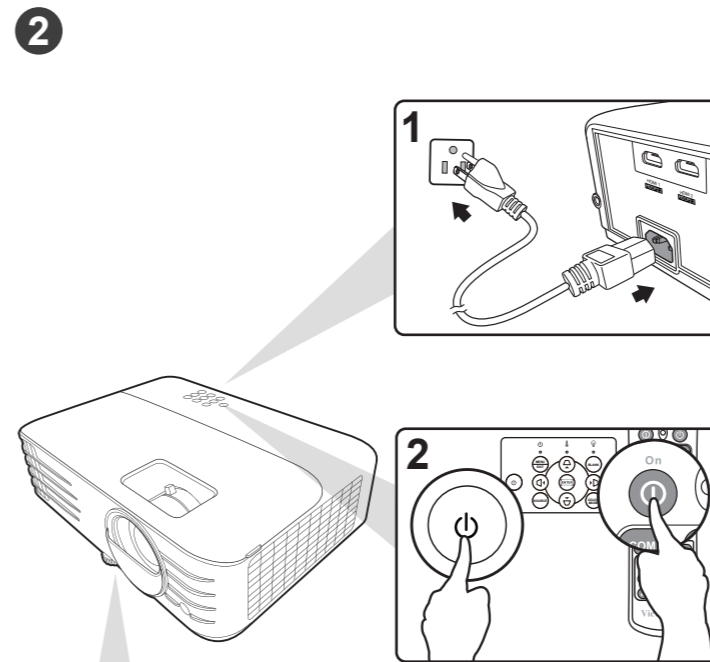
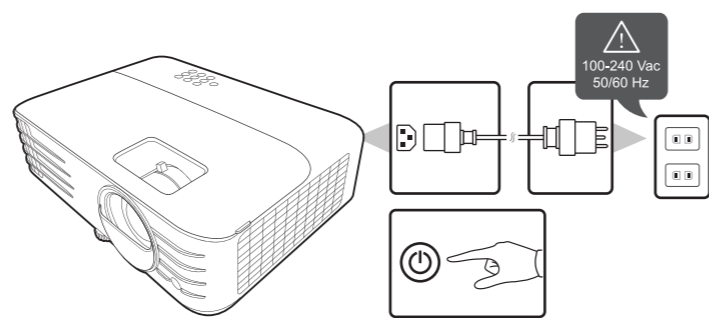


# V149-4K

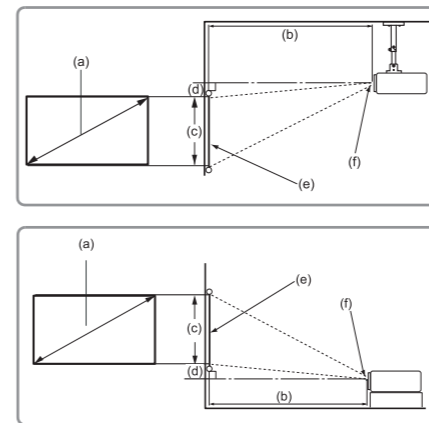
## Home Projector

Quick Start Guide  
 快速安装说明  
 快速入門指南  
 빠른 시작 가이드  
 クイックスタートガイド  
 Ръководство за бърз старт  
 Vodič za brzo pokretanje  
 Úvodní příručka  
 Aan de slag  
 Pika-aloitusopas  
 Guide de démarrage rapide  
 Schnellstarthandbuch  
 Οδηγός γρήγορης εκκίνησης  
 Első lépések  
 Guida introduttiva

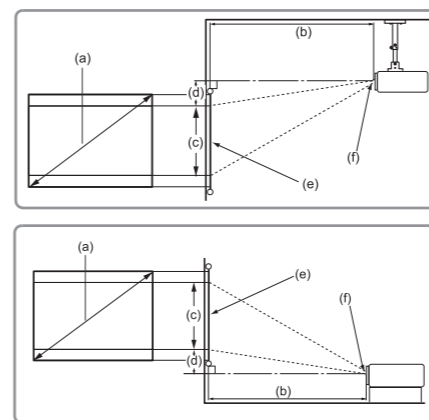
Przewodnik Szybki start  
 Guia de Início Rápido  
 Ghid de pornire rapidă  
 краткое руководство по началу работы  
 Vodič za brzi početak  
 Příručka so stručným návodom  
 Vodnik za hitri začetek  
 Guía de inicio rápido  
 Snabbstartsguide  
 Hızlı Başlangıç Kılavuzu  
 короткий посібник користувача  
 Panduan Mulai Cepat  
 دليل البدء السريع



• 16:9 image on a 16:9 screen



• 16:9 image on a 4:3 screen



(a) Screen Size		16:9 image on a 16:9 Screen											
		(b) Projection distance				(c) Image height				(d) Vertical offset			
inch	mm	min.		max.		min.		max.		min.		max.	
60	1524	78.6	1995.8	86.4	2195.4	29.4	747.2	2.9	74.7	2.9	74.7		
70	1778	91.7	2328.4	100.8	2561.3	34.3	871.7	3.4	87.2	3.4	87.2		
80	2032	104.8	2661.1	115.2	2927.2	39.2	996.2	3.9	99.6	3.9	99.6		
90	2286	117.9	2993.7	129.6	3293.1	44.1	1120.7	4.4	112.1	4.4	112.1		
100	2540	131.0	3326.3	144.1	3658.9	49.0	1245.3	4.9	124.5	4.9	124.5		
110	2794	144.1	3658.9	158.5	4024.8	53.9	1369.8	5.4	137.0	5.4	137.0		
120	3048	157.1	3991.6	172.9	4390.7	58.8	1494.3	5.9	149.4	5.9	149.4		
130	3302	170.2	4324.2	187.3	4756.6	63.7	1618.8	6.4	161.9	6.4	161.9		
140	3556	183.3	4656.8	201.7	5122.5	68.6	1743.4	6.9	174.3	6.9	174.3		
150	3810	196.4	4989.5	216.1	5488.4	73.5	1867.9	7.4	186.8	7.4	186.8		
160	4064	209.5	5322.1	230.5	5854.3	78.4	1992.4	7.8	199.2	7.8	199.2		
170	4318	222.6	5654.7	244.9	6220.2	83.3	2116.9	8.3	211.7	8.3	211.7		
180	4572	235.7	5987.4	259.3	6586.1	88.2	2241.5	8.8	224.1	8.8	224.1		
190	4826	248.8	6320.0	273.7	6952.0	93.1	2366.0	9.3	236.6	9.3	236.6		
200	5080	261.9	6652.6	288.1	7317.9	98.1	2490.5	9.8	249.1	9.8	249.1		

(a) Screen Size		16:9 image on a 4:3 Screen											
		(b) Projection distance				(c) Image height				(d) Vertical offset			
inch	mm	min.		max.		min.		max.		min.		max.	
60	1524	72	1831.9	79	2015.1	27.0	685.8	2.7	68.6	2.7	68.6		
70	1778	84	2137.2	93	2350.9	31.5	800.1	3.2	80.0	3.2	80.0		
80	2032	96	2442.5	106	2686.8	36.0	914.4	3.6	91.4	3.6	91.4		
90	2286	108	2747.8	119	3022.6	40.5	1028.7	4.1	102.9	4.1	102.9		
100	2540	120	3053.2	132	3358.5	45.0	1143.0	4.5	114.3	4.5	114.3		
110	2794	132	3358.5	145	3694.3	49.5	1257.3	5.0	125.7	5.0	125.7		
120	3048	144	3663.8	159	4030.2	54.0	1371.6	5.4	137.2	5.4	137.2		
130	3302	156	3969.1	172	4366.0	58.5	1485.9	5.9	148.6	5.9	148.6		
140	3556	168	4274.4	185	4701.9	63.0	1600.2	6.3	160.0	6.3	160.0		
150	3810	180	4579.7	198	5037.7	67.5	1714.5	6.8	171.5	6.8	171.5		
160	4064	192	4885.0	212	5373.5	72.0	1828.8	7.2	182.9	7.2	182.9		
170	4318	204	5190.4	225	5709.4	76.5	1943.1	7.7	194.3	7.7	194.3		
180	4572	216	5495.7	238	6045.2	81.0	2057.4	8.1	205.7	8.1	205.7		
190	4826	228	5801.0	251	6381.1	85.5	2171.7	8.6	217.2	8.6	217.2		
200	5080	240	6106.3	264	6716.9	90.0	2286.0	9.0	228.6	9.0	228.6		

There is 3% tolerance among these numbers due to optical component variations. It is recommended that if you intend to permanently install the projector, you should physically test the projection size and distance using the actual projector in situ before you permanently install it, so as to make allowance for this projector's optical characteristics. This will help you determine the exact mounting position so that it best suits your installation location.

