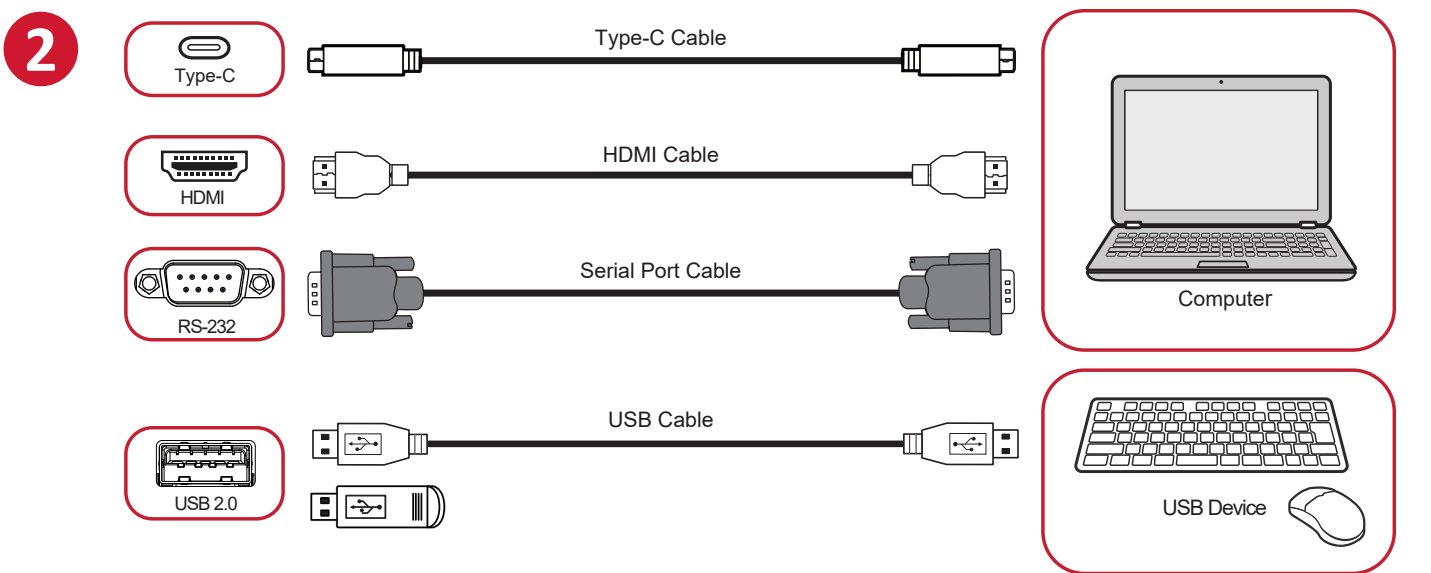
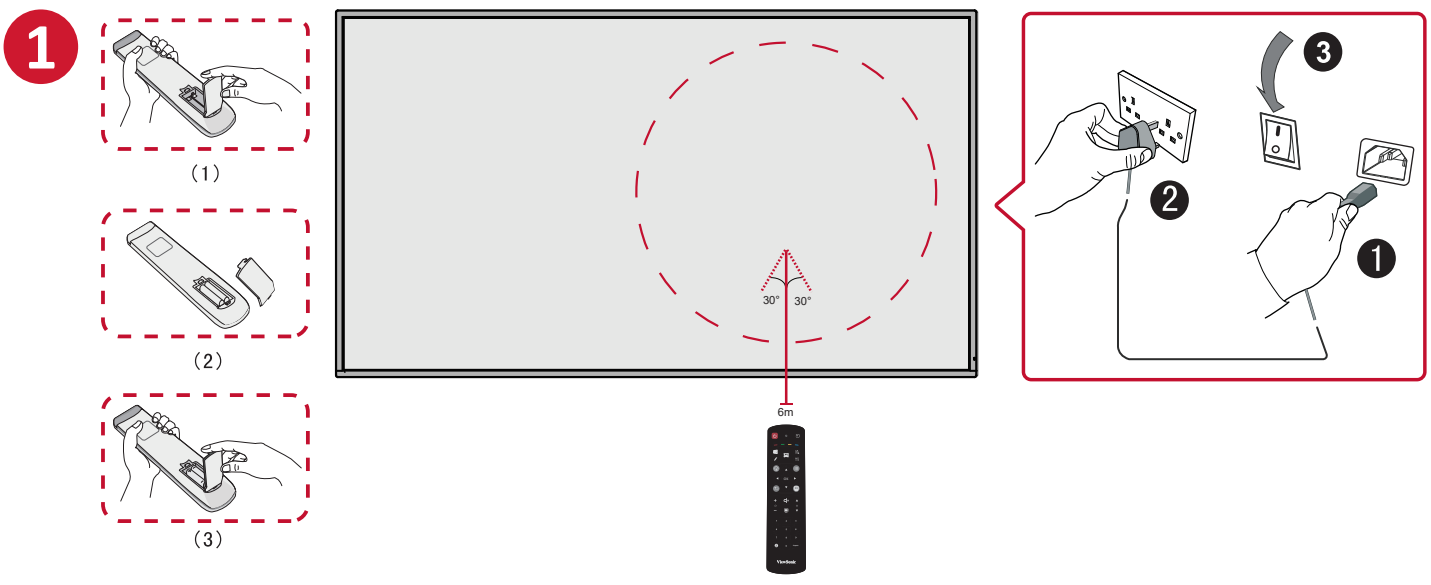
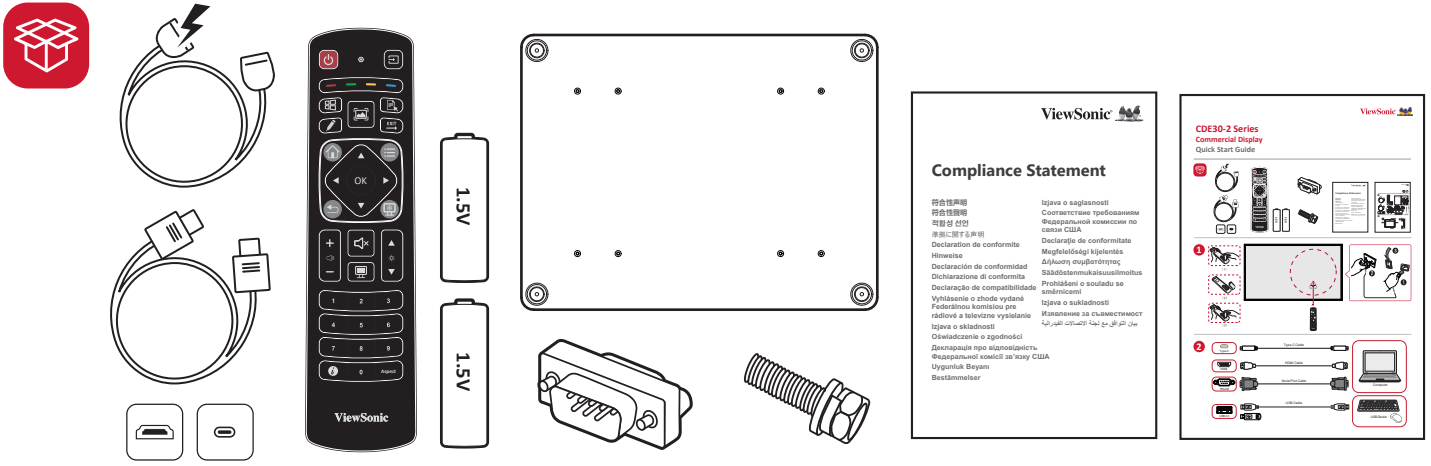
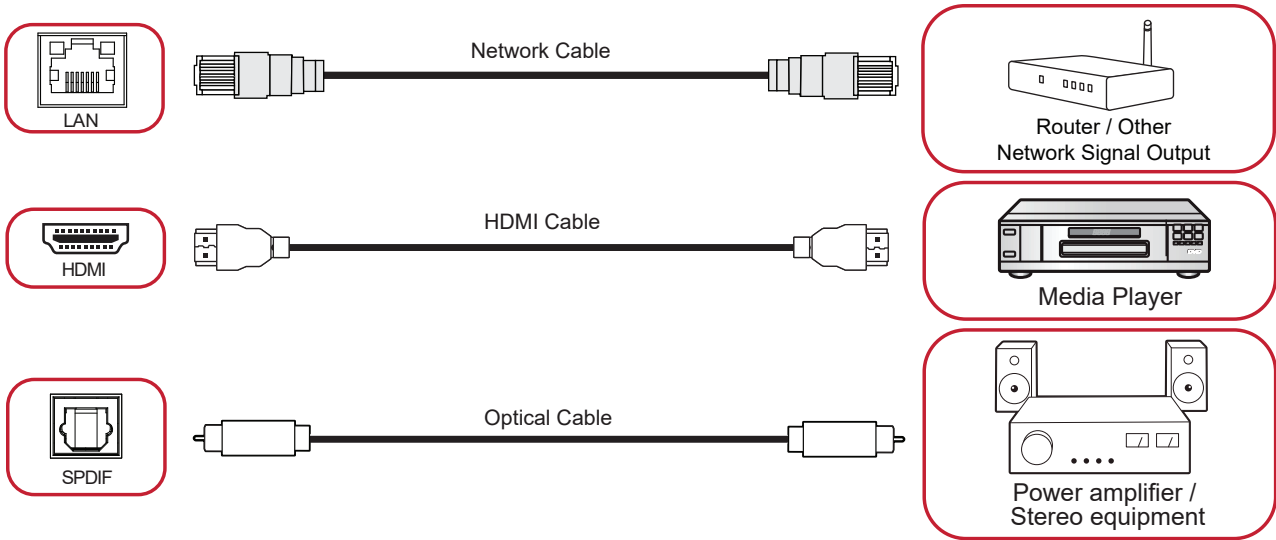
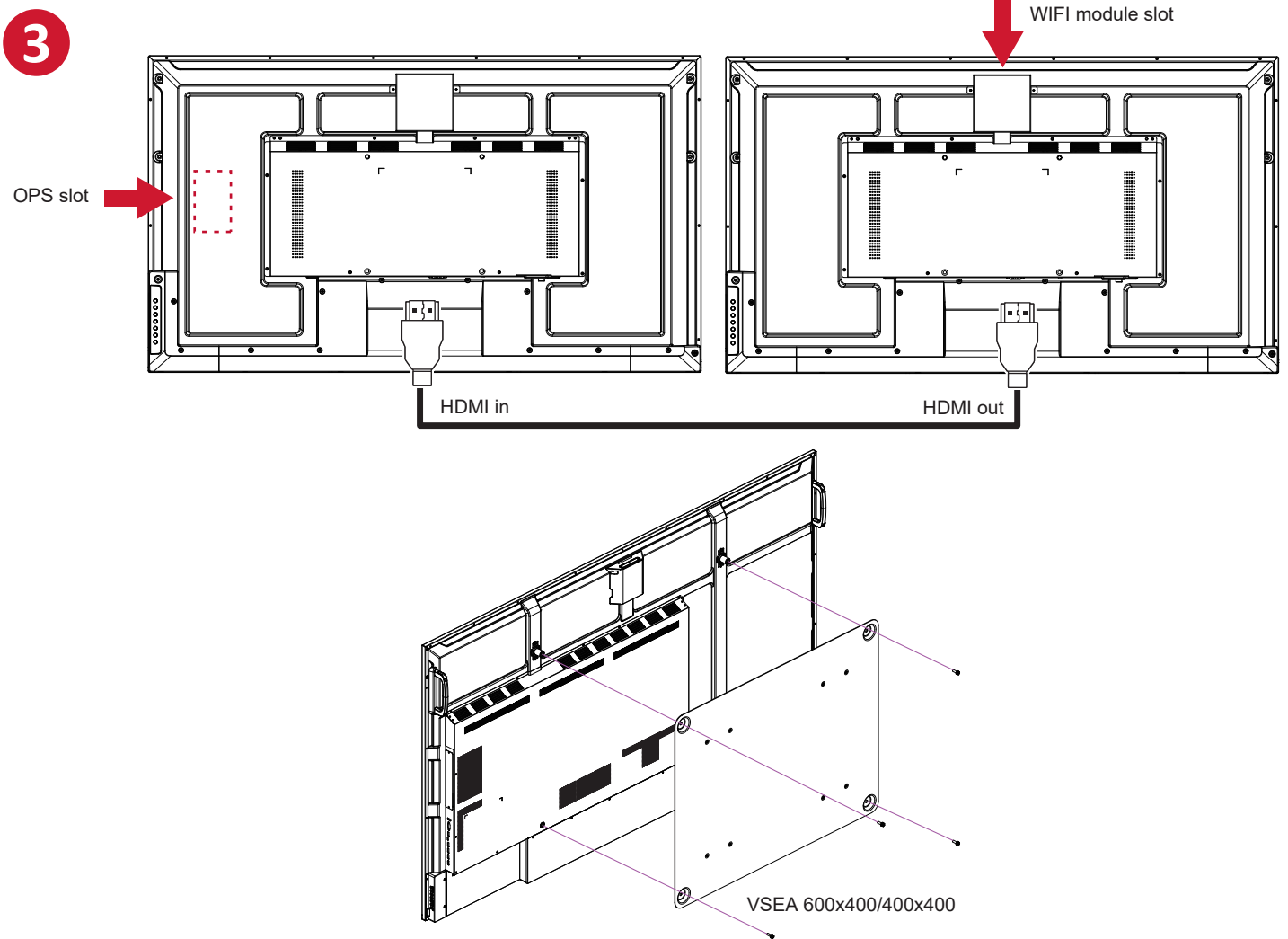


# CDE30-2 Series Commercial Display Quick Start Guide





The terms HDMI, HDMI High-Definition Multimedia Interface, HDMI trade dress and the HDMI Logos are trademarks or registered trademarks of HDMI Licensing Administrator, Inc.



CDE30-2 Series



Support Center



[www.viewsonic.com](http://www.viewsonic.com)