

# ViewSonic®



---

**CDP3235**  
**CDP4235**  
**CDP4235-T**  
**CDP4635**  
**CDP4635-T**  
**CDX5550-L**  
**User Guide**

---

**IMPORTANT:** Please read this User Guide to obtain important information on installing and using your product in a safe manner, as well as registering your product for future service. Warranty information contained in this User Guide will describe your limited coverage from ViewSonic Corporation, which is also found on our web site at <http://www.viewsonic.com> in English, or in specific languages using the Regional selection box in the upper right corner of our website. "Antes de operar su equipo lea cuidadosamente las instrucciones en este manual"

---

Model No. VS14694/VS14693/VS14709/VS14692/VS14710/VS14691

# Compliance Information

## For U.S.A.

This device complies with part 15 of FCC Rules. Operation is subject to the following two conditions: (1) this device may not cause harmful interference, and (2) this device must accept any interference received, including interference that may cause undesired operation.

This equipment has been tested and found to comply with the limits for a Class B digital device, pursuant to part 15 of the FCC Rules. These limits are designed to provide reasonable protection against harmful interference in a residential installation.

This equipment generates, uses, and can radiate radio frequency energy, and if not installed and used in accordance with the instructions, may cause harmful interference to radio communications. However, there is no guarantee that interference will not occur in a particular installation. If this equipment does cause harmful interference to radio or television reception, which can be determined by turning the equipment off and on, the user is encouraged to try to correct the interference by one or more of the following measures:

- Reorient or relocate the receiving antenna.
- Increase the separation between the equipment and receiver.
- Connect the equipment into an outlet on a circuit different from that to which the receiver is connected.
- Consult the dealer or an experienced radio/TV technician for help.

Warning: You are cautioned that changes or modifications not expressly approved by the party responsible for compliance could void your authority to operate the equipment.

## For Canada

This Class B digital apparatus complies with Canadian ICES-003.

Cet appareil numérique de la classe B est conforme à la norme NMB-003 du Canada.

## CE Conformity for European Countries

 The device complies with the EMC Directive 2004/108/EC and Low Voltage Directive 2006/95/EC.

### Following information is only for EU-member states:

The mark shown to the right is in compliance with the Waste Electrical and Electronic Equipment Directive 2002/96/EC (WEEE).

The mark indicates the requirement NOT to dispose the equipment as unsorted municipal waste, but use the return and collection systems according to local law.



# Important Safety Instructions

1. Read these instructions completely before using the equipment.
2. Keep these instructions in a safe place.
3. Heed all warnings.
4. Follow all instructions.
5. Do not use this equipment near water. Warning: To reduce the risk of fire or electric shock, do not expose this apparatus to rain or moisture.
6. Do not block any ventilation openings. Install the equipment in accordance with the manufacturer's instructions.
7. Do not install near any heat sources such as radiators, heat registers, stoves, or other devices (including amplifiers) that produce heat.
8. Do not attempt to circumvent the safety provisions of the polarized or grounding-type plug. A polarized plug has two blades with one wider than the other. A grounding type plug has two blades and a third grounding prong. The wide blade and the third prong are provided for your safety. If the plug does not fit into your outlet, consult an electrician for replacement of the outlet.
9. Protect the power cord from being tread upon or pinched, particularly at the plug, and the point where it emerges from the equipment. Be sure that the power outlet is located near the equipment so that it is easily accessible.
10. Only use attachments/accessories specified by the manufacturer.
11. Use only with the cart, stand, tripod, bracket, or table specified by the manufacturer, or sold with the equipment. When a cart is used, use caution when moving the cart/equipment combination to avoid injury from tipping over.
12. Unplug this equipment when it will be unused for long periods of time.
13. Refer all servicing to qualified service personnel. Service is required when the unit has been damaged in any way, such as: if the power-supply cord or plug is damaged, if liquid is spilled onto or objects fall into the unit, if the unit is exposed to rain or moisture, or if the unit does not operate normally or has been dropped.



# Declaration of RoHS Compliance

This product has been designed and manufactured in compliance with Directive 2002/95/EC of the European Parliament and the Council on restriction of the use of certain hazardous substances in electrical and electronic equipment (RoHS Directive) and is deemed to comply with the maximum concentration values issued by the European Technical Adaptation Committee (TAC) as shown below:

Substance	Proposed Maximum Concentration	Actual Concentration
Lead (Pb)	0,1%	< 0,1%
Mercury (Hg)	0,1%	< 0,1%
Cadmium (Cd)	0,01%	< 0,01%
Hexavalent Chromium (Cr6+)	0,1%	< 0,1%
Polybrominated biphenyls (PBB)	0,1%	< 0,1%
Polybrominated diphenyl ethers (PBDE)	0,1%	< 0,1%

Certain components of products as stated above are exempted under the Annex of the RoHS Directives as noted below:

Examples of exempted components are:

1. Mercury in compact fluorescent lamps not exceeding 5 mg per lamp and in other lamps not specifically mentioned in the Annex of RoHS Directive.
2. Lead in glass of cathode ray tubes, electronic components, fluorescent tubes, and electronic ceramic parts (e.g. piezoelectronic devices).
3. Lead in high temperature type solders (i.e. lead-based alloys containing 85% by weight or more lead).
4. Lead as an alloying element in steel containing up to 0.35% lead by weight, aluminium containing up to 0.4% lead by weight and as a copper alloy containing up to 4% lead by weight.



# Copyright Information

Copyright © ViewSonic® Corporation, 2013. All rights reserved.

ViewSonic®, the three birds logo, OnView®, ViewMatch™, and ViewMeter® are registered trademarks of ViewSonic® Corporation.

Disclaimer: ViewSonic® Corporation shall not be liable for technical or editorial errors or omissions contained herein; nor for incidental or consequential damages resulting from furnishing this material, or the performance or use of this product.

In the interest of continuing product improvement, ViewSonic® Corporation reserves the right to change product specifications without notice. Information in this document may change without notice.

No part of this document may be copied, reproduced, or transmitted by any means, for any purpose without prior written permission from ViewSonic® Corporation.

## Product Registration

To meet your future needs, and to receive any additional product information as it becomes available, please register your product on the Internet at: [www.viewsonic.com](http://www.viewsonic.com).

### For Your Records

Product Name:	CDP3235/CDP4235/CDP4235-T/CDP4635/CDP4635-T/CDX5550-L ViewSonic LCD Monitor
Model Number:	VS14694/VS14693/VS14709/VS14692/VS14710/VS14691
Document Number:	CDP3235_CDP4235_CDP4235-T_CDP4635_CDP4635-T_CDX5550-L_ UG_ENG Rev. 1C 05-16-13
Serial Number:	_____
Purchase Date:	_____

### Product disposal at end of product life

ViewSonic respects the environment and is committed to working and living green. Thank you for being part of Smarter, Greener Computing. Please visit ViewSonic website to learn more.

USA & Canada: <http://www.viewsonic.com/company/green/recycle-program/>

Europe: <http://www.viewsoniceurope.com/uk/kbase/article.php?id=639>

Taiwan: <http://recycle.epa.gov.tw/recycle/index2.aspx>

# Table Of Contents

<b>1. Unpacking and Installation</b> .....	<b>1</b>
1.1. Unpacking .....	1
1.2. Package Contents.....	1
1.3. Installation Notes.....	1
1.4. Installing and Removing Table Stands (optional) .....	2
1.5. Installing and Removing OPS module (CP4235/CDP4635/CDX5550-L series) (optional) .....	3
1.6. Mounting on a Wall.....	4
<b>2. Parts and Functions</b> .....	<b>5</b>
2.1. Control Panel .....	5
2.2. Input/Output Terminals .....	6
2.3. Remote Control .....	7
2.3.1. General functions.....	7
2.3.2. Inserting the batteries in the remote control.....	8
2.3.3. Handling the remote control.....	8
2.3.4. Operating range of the remote control .....	8
<b>3. Connecting External Equipment</b> .....	<b>9</b>
3.1. Using the Switch Cover.....	9
3.2. Connecting External Equipment (DVD/VCR/VCD) .....	9
3.2.1. Using COMPONENT video input.....	10
3.2.2. Using HDMI video input .....	10
3.3. Connecting a PC .....	11
3.3.1. Using VGA input.....	11
3.3.2. Using DVI input.....	11
3.3.3. Using HDMI input.....	12
3.4. External Audio Connection.....	13
3.4.1. Connecting external speakers .....	13
3.4.2. Connecting an external audio device.....	13
3.5. Connecting Multiple Displays in a Daisy-chain Configuration .....	14
3.5.1. Video connection .....	14
3.5.2. Audio connection .....	14
<b>4. OSD Menu</b> .....	<b>15</b>
4.1. Navigating the OSD Menu .....	15
4.1.1. Navigating the OSD menu using the remote control.....	15
4.1.2. Navigating the OSD menu using the display's control buttons .....	15
4.2. OSD Menu Overview .....	15
4.2.1. PICTURE menu .....	15
4.2.2. SCREEN menu .....	16
4.2.3. AUDIO menu.....	17

4.2.4. PIP menu .....	17
4.2.5. CONFIGURATION1 menu .....	18
4.2.6. CONFIGURATION2 menu .....	19
4.2.7. CONFIGURATION3 menu .....	20
4.2.8. ADVANCED OPTION menu .....	21
<b>5. Input Mode.....</b>	<b>23</b>
<b>6. Cleaning and Troubleshooting .....</b>	<b>24</b>
6.1. Cleaning .....	24
6.2. Troubleshooting.....	25
<b>7. Technical Specifications .....</b>	<b>26</b>

# 1. Unpacking and Installation

## 1.1. Unpacking

- This product is packed in a carton, together with the standard accessories.
- Any other optional accessories will be packed separately.
- Due to the size and weight of this display it is recommended for two people to move it.
- After opening the carton, ensure that the content is in good condition and complete.

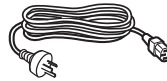
## 1.2. Package Contents

Please verify that you received the following items with your package content:

- CD ROM (Optional)
- Remote control with AAA batteries
- Power cord (1.8 m)
- VGA cable (1.8 m)
- Quick Installation Guide
- Power switch cover
- Screw for Power switch cover (M3x8)
- BNC-to-RCA adapter (x3)
- USB cable (CDP4635-T/ CDP4635-T)



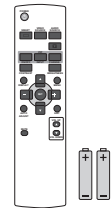
For EU\*



For China\*



CD ROM (Optional)



Remote Control and AAA Batteries



For North America\*



For UK\*



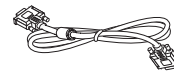
Power switch cover (Exclusive of CDX5550-L)



Screw for Power switch cover (M3 x 8) x 1 (Exclusive of CDX5550-L)



BNC-RCA adapter x 3



Video Signal Cable (D-SUB to D-SUB Cable)



USB cable

\* The supplied power cord varies depending on destination.

### NOTES:

- Please make sure that for all other regions, apply a power cord that conforms to the AC voltage of the power socket and has been approved by and complies with the safety regulations of the particular country.
- You might like to save the package box and packing material for shipping the display.

## 1.3. Installation Notes

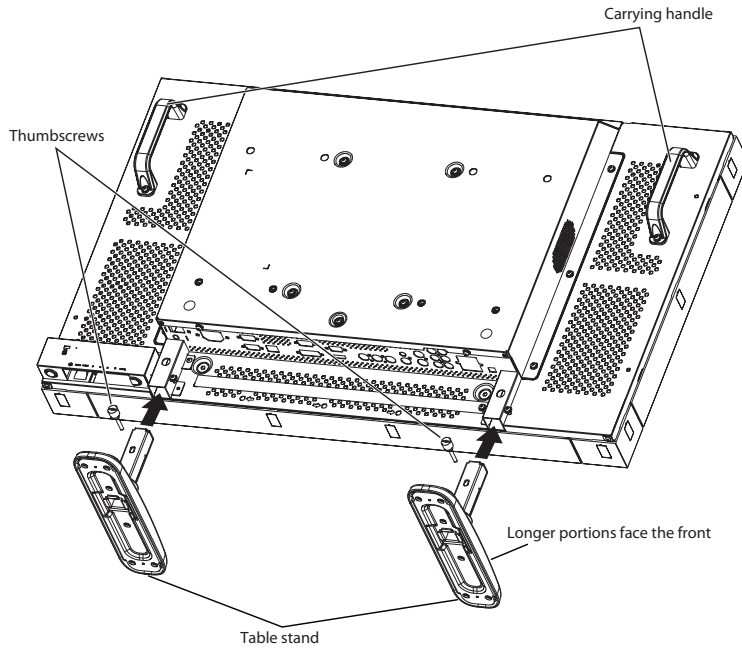
- Due to the high power consumption, always use the plug exclusively designed for this product. If an extended line is required, please consult your service agent.
- The product should be installed on a flat surface to avoid tipping. The distance between the back of the product and the wall should be maintained for proper ventilation. Avoid installing the product in the kitchen, bathroom or any other places with high humidity so as not to shorten the service life of the electronic components.
- The product can normally operate only under 3000m in altitude. In installations at altitudes above 3000m, some abnormalities may be experienced.

## 1.4. Installing and Removing Table Stands (optional)

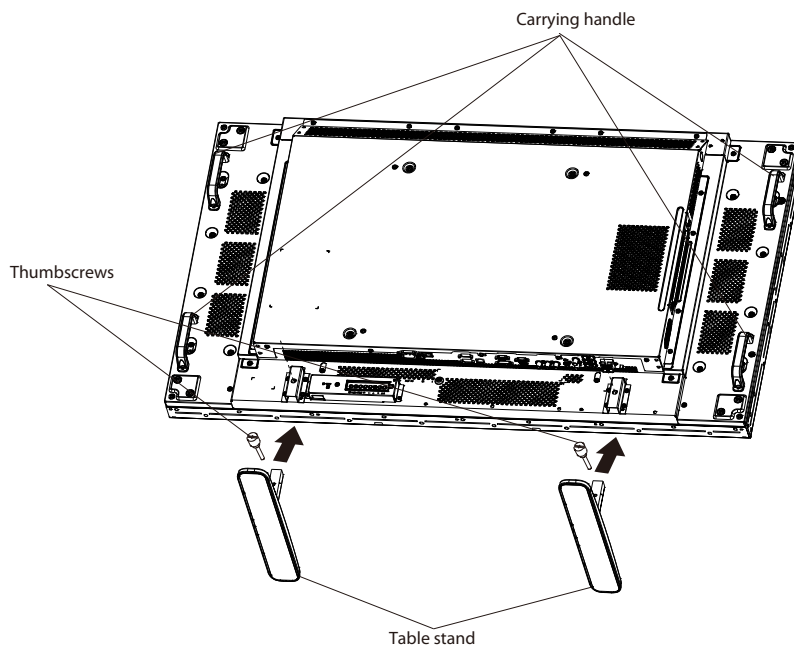
### To install table stands:

1. Power off the display.
2. Spread a protective sheet on a flat surface.
3. Grab the carrying handles and place the display face-down on the protective sheet.
4. After inserting the stand in the guide block, tighten the screws on both sides of the display.

NOTE: The long-end side of the stand should face to the front while installing.



CDP3235: STND-022  
CDP4235/CDP4635:STND-020



CDX5550-L : STND-021

### To remove table stands:

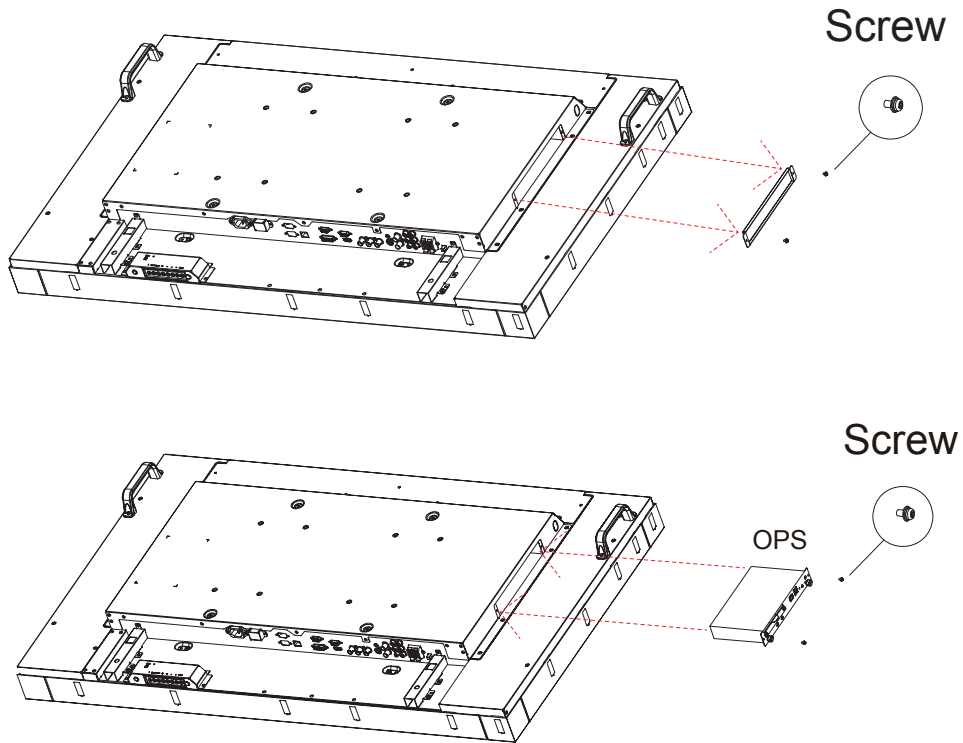
1. Power off the display.
2. Spread a protective sheet on a flat surface.
3. Grab the carrying handles and place the display face-down on the protective sheet.
4. Remove screws using a screwdriver and place them in a safe place for reuse.

## 1.5. Installing and Removing OPS module (CDP4235/CDP4635/CDX5550-L series) (optional)

### To install OPS Module:

1. Power off the display.
2. Remove the cover of OPS after take screw off.
3. Insert OPS module and then fix by screw.

NOTE: Keep the OPS cover for future use.

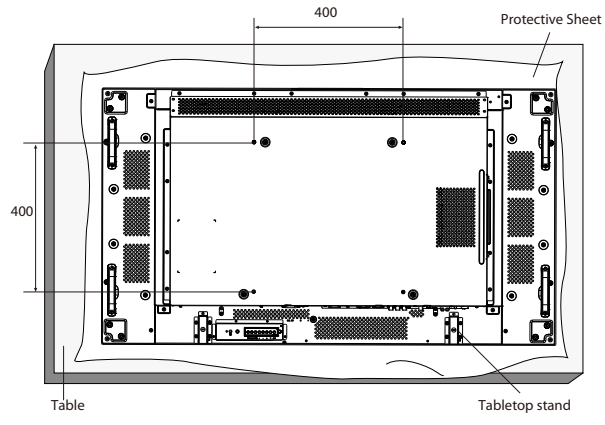
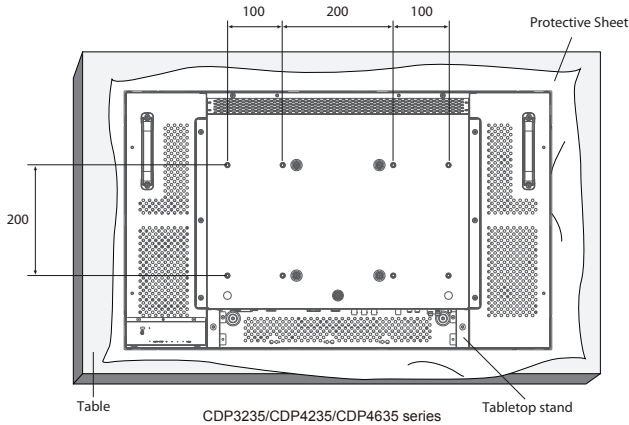


### To remove OPS Module:

1. Power off the display.
2. Remove screw and plug out OPS module.
3. Install OPS cover and then fix by screw.

## 1.6. Mounting on a Wall

To mount this display to a wall, you will have to obtain a standard wall-mounting kit (commercially available). We recommend using a mounting interface that complies with TUV-GS and/or UL1678 standard in North America.



1. Lay a protective sheet on a table, which was wrapped around the display when it was packaged, beneath the screen surface so as not to scratch the screen face.
2. Ensure you have all accessories for mounting this display (wall mount, ceiling mount, table stand, etc).
3. Follow the instructions that come with the base mounting kit. Failure to follow correct mounting procedures could result in damage to the equipment or injury to the user or installer. Product warranty does not cover damage caused by improper installation.
4. For the wall-mounting kit, use M6 mounting screws (having a length 10 mm longer than the thickness of the mounting bracket) and tighten them securely.

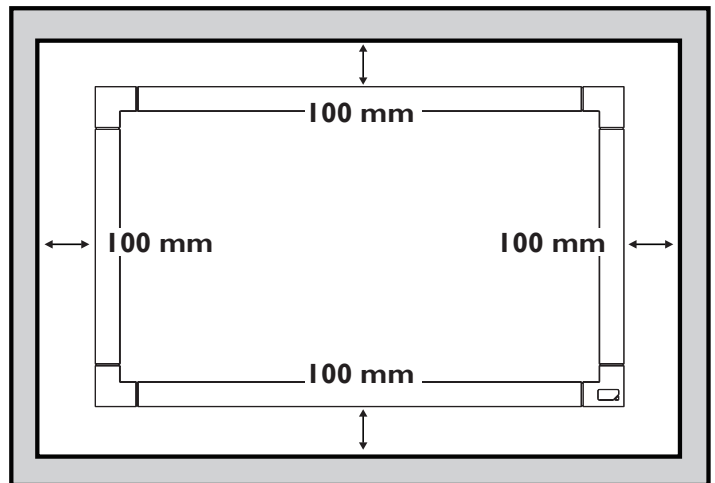
### Caution:

To prevent the display from falling:

- For wall or ceiling installation, we recommend installing the display with metal brackets which are commercially available. For detailed installation instructions, refer to the guide received with the respective bracket.
- To lessen the probability of injury and damage resulting from fall of the display in case of earthquake or other natural disaster, be sure to consult the bracket manufacturer for installation location.

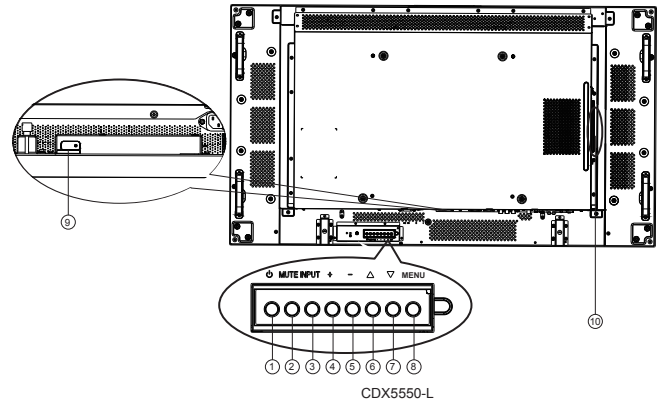
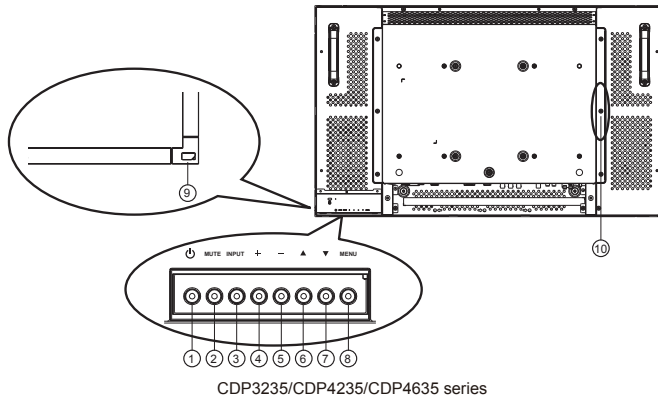
### Ventilation Requirements for enclosure locating

To allow heat to disperse, leave space between surrounding objects as shown in the diagram below.



## 2. Parts and Functions

### 2.1. Control Panel



#### ① POWER button

Use this button to turn the display on or put the display to standby.

#### ② MUTE button

Switch the audio mute ON/OFF.

#### ③ INPUT button

- Use this button to select the input source.
- When the On Screen Display menu is active, this is also used as the [SET] button.

#### ④ [+] button

Increase the adjustment while OSD menu is on, or increase the audio output level while OSD menu is off.

#### ⑤ [-] button

Decrease the adjustment while OSD menu is on, or decrease the audio output level while OSD menu is off.

#### ⑥ [▲] button

Move the highlight bar up to adjust the selected item while OSD menu is on.

#### ⑦ [▼] button

Move the highlight bar down to adjust the selected item while OSD menu is on.

#### ⑧ MENU button

Return to previous menu while OSD menu is on, or to activate the OSD menu when OSD menu is off.

NOTE: “**Keyboard Control Lock Mode**” This function completely disables the access to all Keyboard Control functions. To enable or disable the keyboard control lock, press both [▲] and [▼] buttons and hold down continuously for more than 3 (three) seconds.

#### ⑨ Remote control sensor and power status indicator

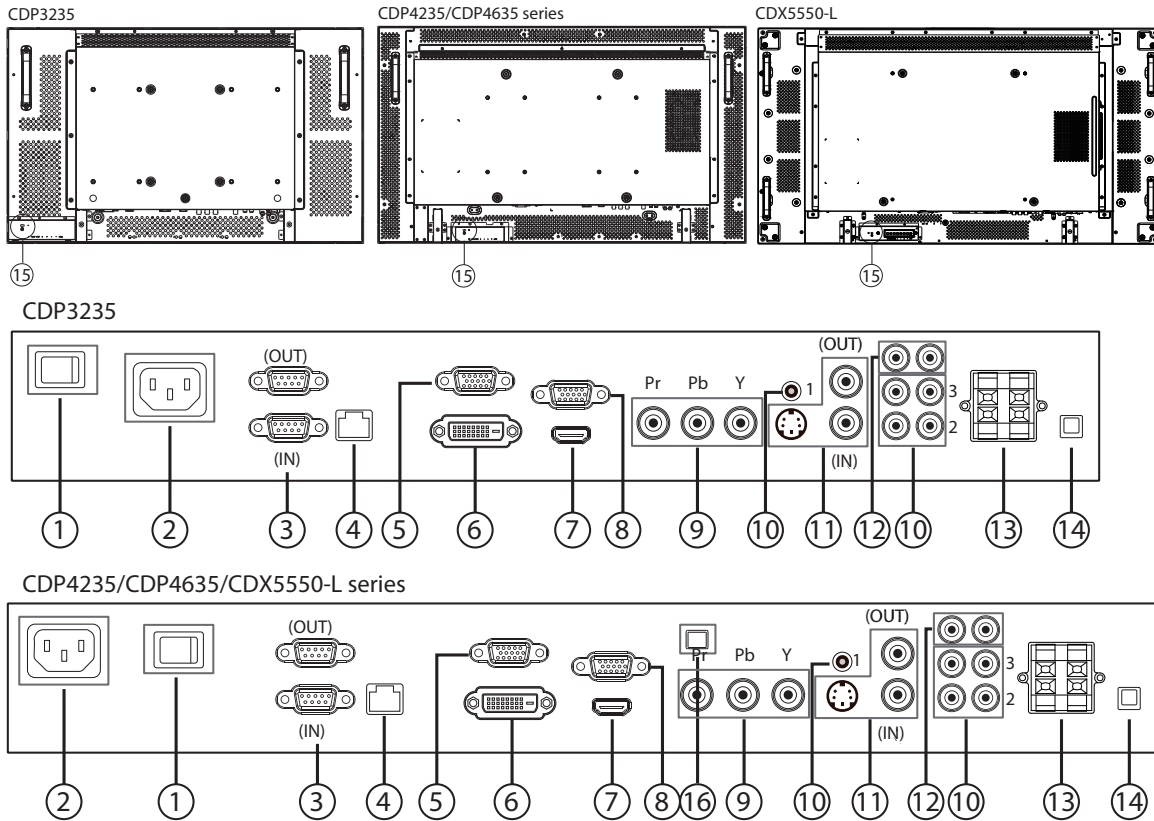
- Receives command signals from the remote control.
- Indicates the operating status of the display:
  - Lights green when the display is turned on
  - Lights red when the display is in standby mode
  - Lights amber when the display enters DPMS mode
  - When {SCHEDULE} is enabled, the light blinks green and red
  - If the light blinks red, it indicates that a failure has been detected
  - Off when the main power of the display is turned off

#### ⑩ OPS slot (exclusive of CDP3225)

Expansion slot adapter for Open Pluggable Specification(OPS) card



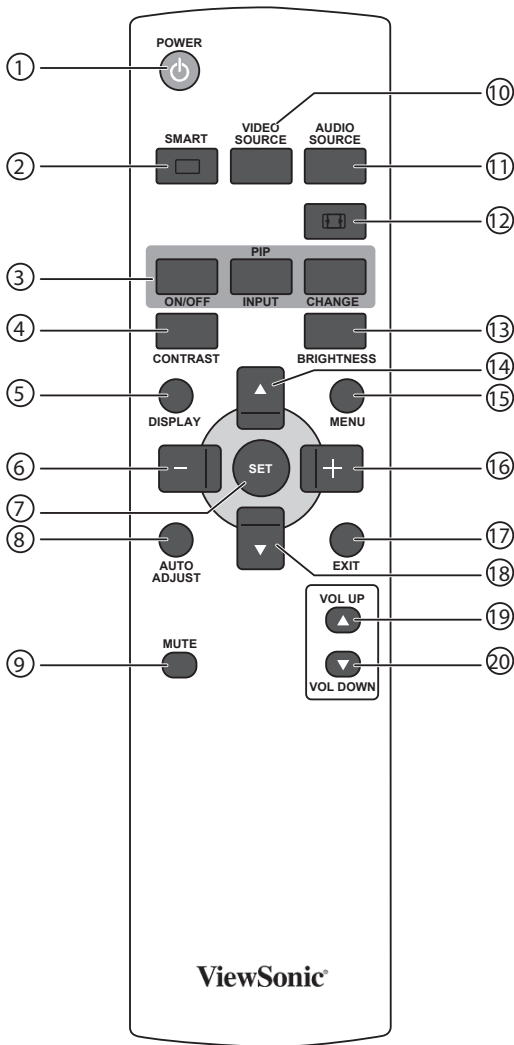
## 2.2. Input/Output Terminals



- ① **MAIN POWER SWITCH**  
Press to switch the main power on/off.
- ② **AC IN**  
Connect the supplied power cord to the wall outlet.
- ③ **RS232C (OUT/IN)**  
RS232C network input/output connection for the use of loop-through function.
- ④ **RJ-45**  
LAN control function for the use of remote control signal from control center.
- ⑤ **VGA OUT (D-Sub)**  
Output the VGA signal from the VGA IN (D-Sub).
- ⑥ **DVI-D IN**  
Connect the DVI-D output of a PC, or the HDMI output of an AV device by using a DVI-HDMI cable.
- ⑦ **HDMI IN**  
Connect the HDMI output of an AV device, or the DVI-D output of a PC by using a DVI-HDMI cable.
- ⑧ **VGA IN (D-Sub)**  
Connect the computer VGA output.
- ⑨ **COMPONENT IN (BNC)**  
Connect the component YPbPr output from external AV device.
- ⑩ **AUDIO IN 1, 2, 3**  
Connect audio input from external AV device.
  - **AUDIO IN 1:** 3.5mm stereo phone jack
  - **AUDIO IN 2, 3:** RCA phone jack
- ⑪ **VIDEO IN/OUT**
  - **S-VIDEO IN (Mini DIN 4 pin):** Connect the S-VIDEO (Y/C separate signal) input.
  - **VIDEO IN (BNC):** Connect the composite video signal input.
  - **VIDEO OUT (BNC):** Connect the composite video signal output from VIDEO IN (BNC).
- ⑫ **AUDIO OUT R/L (RCA)**  
Connect the audio signal output from AUDIO IN 1, 2, or 3 jack to an external AV device.
- ⑬ **SPEAKERS OUT R/L**  
Connect the audio output to external speakers.
- ⑭ **SPEAKER SWITCH**  
Press to switch the internal speaker on/off.
- ⑮ **KENSINGTON LOCK**  
For security and theft prevention.
- ⑯ **USB-B**  
Touch connector to PC.

## 2.3. Remote Control

### 2.3.1. General functions



#### ① [POWER] button

Press to switch on the display from standby mode. Press again to turn it off and back into standby mode.

#### ② [SMART] button

Press to activate Smart Menu. Press [▲] or [▼] button to select menu options. Press [SET] button to confirm and exit the selection.

- **Standard:** Used for normal images (factory setting)
- **Highbright:** Used for moving image such as Video
- **sRGB:** Used for text based images

#### ③ [PIP] (Picture In Picture) button

[ON/OFF]: Turn PIP mode ON/OFF.

[INPUT]: Select the input signal for the sub-picture.

[CHANGE]: Toggle between the main picture and sub picture.

#### ④ [CONTRAST] button

Press to activate Contrast Menu. Press [+] or [-] button to adjust the value. Press [MENU] button to confirm and exit.

#### ⑤ [DISPLAY] button

Press to turn on/off the information OSD displayed on the upper right corner of the screen.

#### ⑥ [-] button

- Press to move the selection left in OSD menu.
- Press to decrease the value in OSD menu.
- Press to move the sub-picture left in PIP mode.

#### ⑦ [SET] button

Press to activate the setting inside the OSD menu.

#### ⑧ [AUTO ADJUST] button

Press to run the Auto Adjust function.

NOTE: This button is functional for **VGA** input only.

#### ⑨ [MUTE] button

Press to turn the mute function on/off.

#### ⑩ [VIDEO SOURCE] button

Press to toggle Video Source Menu. Press [▲] or [▼] button to select one of the video sources among **HDMI, DVI-D, VGA, DVD / HD, VIDEO-S, or VIDEO**. Press [SET] button to confirm and exit.

#### ⑪ [AUDIO SOURCE] button

Press to toggle Audio Source Menu. Press [▲] or [▼] button to select one of the audio sources among **HDMI, AUDIO1, AUDIO2, or AUDIO3**. Press [SET] button to confirm and exit.

#### ⑫ Picture Format button

Press to switch screen aspect ratio.

- For PC signal: **FULL, NORMAL, CUSTOM** and **REAL**.
- For Video signal: **FULL, NORMAL, DYNAMIC, CUSTOM** and **REAL**.

#### ⑬ [BRIGHTNESS] button

Press to toggle Brightness Menu. Press [+] or [-] button to adjust the value. Press [MENU] button to confirm and exit.

#### ⑭ [▲] button

- Press to move the selection up in OSD menu.
- Press to move the sub-picture up in PIP mode.

#### ⑮ [MENU] button

Press to turn the OSD menu on/off.

#### ⑯ [+] button

- Press to move the selection right in OSD menu.
- Press to increase the value in OSD menu.
- Press to move the sub-picture right in PIP mode.

#### ⑰ [EXIT] button

Press to turn back to the previous OSD menu.

#### ⑱ [▼] button

- Press to move the selection down in OSD menu.
- Press to move the sub-picture down in PIP mode.

#### ⑲ [VOL UP] button

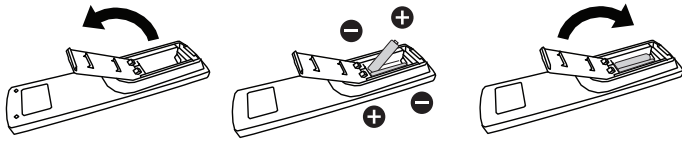
Press to increase the audio output level.

#### ⑳ [VOL DOWN] button

Press to decrease the audio output level.

### 2.3.2. Inserting the batteries in the remote control

The remote control is powered by two 1.5V AAA batteries.  
To install or replace batteries:



1. Press and then slide the cover to open it.
2. Align the batteries according to the (+) and (-) indications inside the battery compartment.
3. Replace the cover.

#### Caution:

The incorrect use of batteries can result in leaks or bursting. Be sure to follow these instructions:

- Place “AAA” batteries matching the (+) and (-) signs on each battery to the (+) and (-) signs of the battery compartment.
- Do not mix battery types.
- Do not combine new batteries with used ones. It causes shorter life or leakage of batteries.
- Remove the dead batteries immediately to prevent them from liquid leaking in the battery compartment. Don't touch exposed battery acid, it cause damage to your skin.

NOTE: If you do not intend to use the remote control for a long period, remove the batteries.

### 2.3.3. Handling the remote control

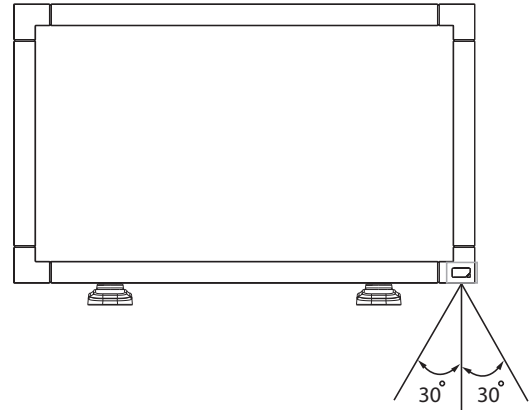
- Do not subject to strong shock.
- Do not allow water or other liquid to splash the remote control. If the remote control gets wet, wipe it dry immediately.
- Avoid exposure to heat and steam.
- Other than to install the batteries, do not open the remote control.

### 2.3.4. Operating range of the remote control

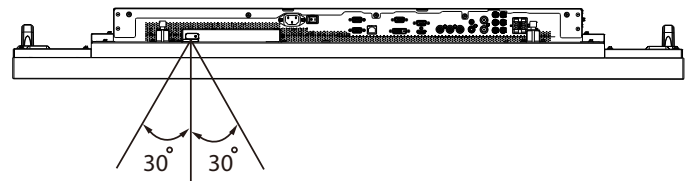
Point the top of the remote control toward the display's remote control sensor when pressing a button.

Use the remote control within a distance of less than 10m/33ft from the display's sensor, and a horizontal and vertical angle of less than 30 degrees.

NOTE: The remote control may not function properly when the remote control sensor on the display is under direct sunlight or strong illumination, or when there is an obstacle in the path of signal transmission.



CDP3235/CDP4235/CDP4635 series



CDX5550-L

### 3. Connecting External Equipment

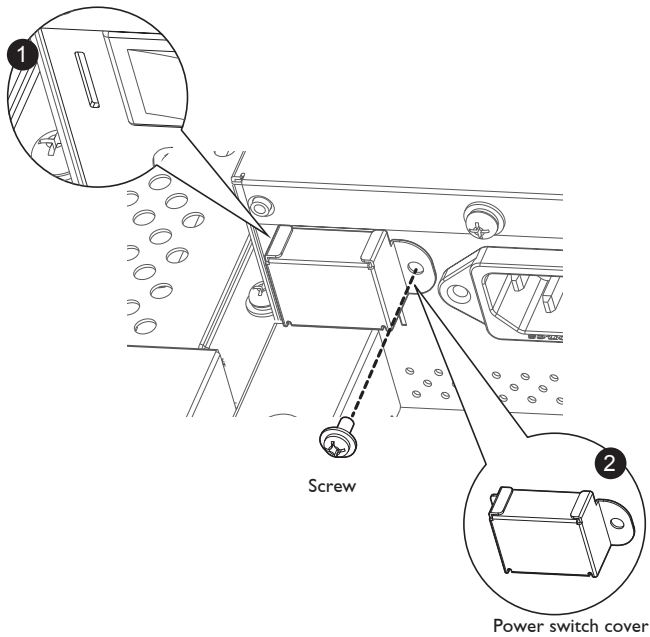
#### 3.1. Using the Switch Cover

A cover for the power switch is provided to prevent the display from being turned on or off accidentally.

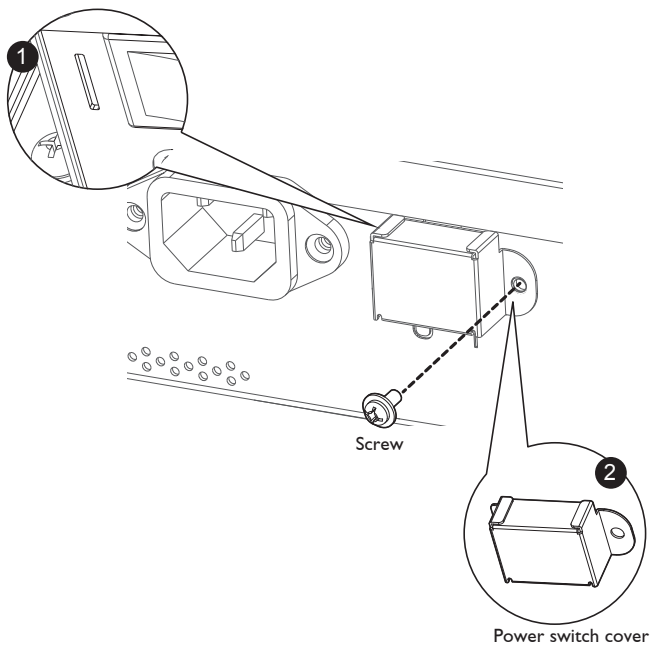
To lock the cover into position:

1. Align and insert the cover to the indentation located beside the main switch.
2. Use the screw to lock the cover.

#### CDP3235:

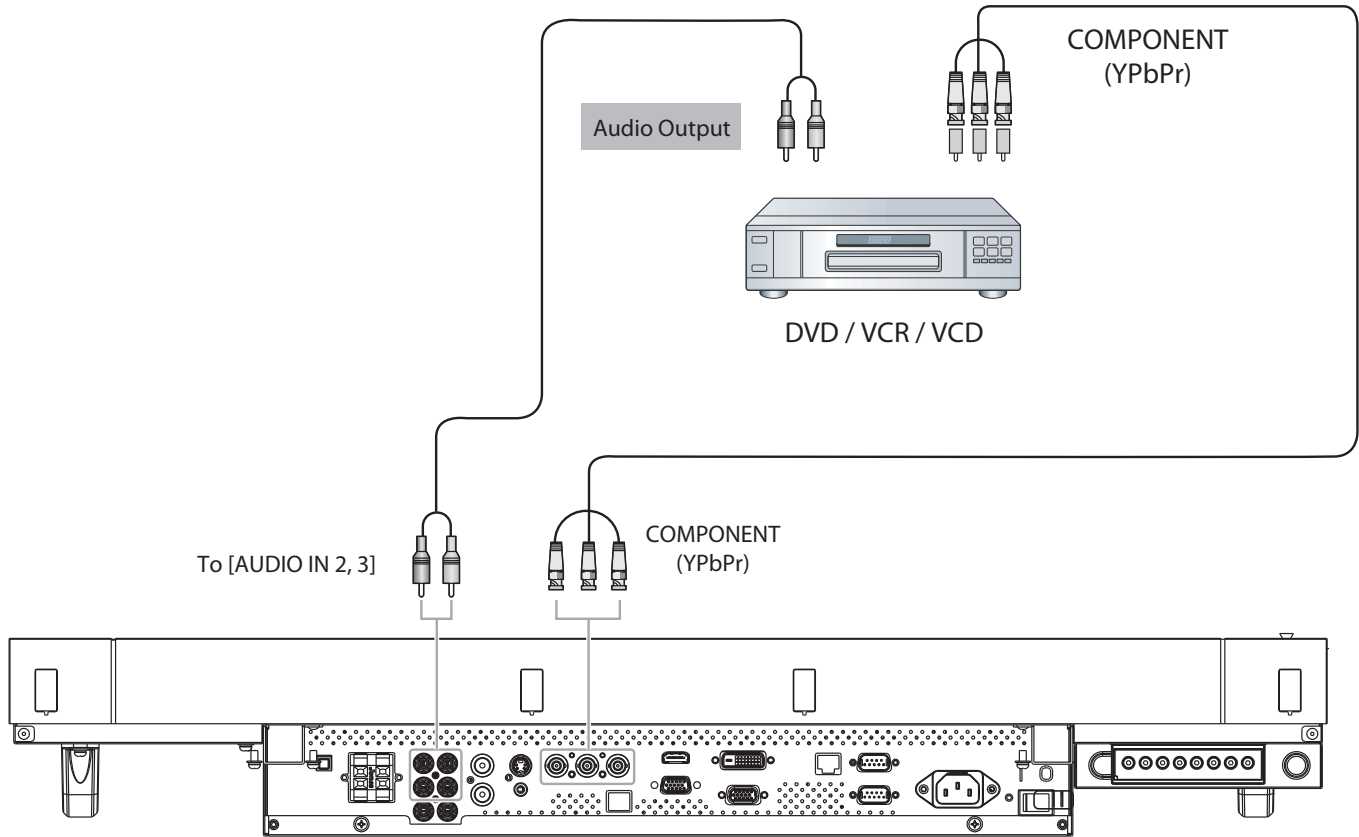


#### CDP4235/CDP4635 series:

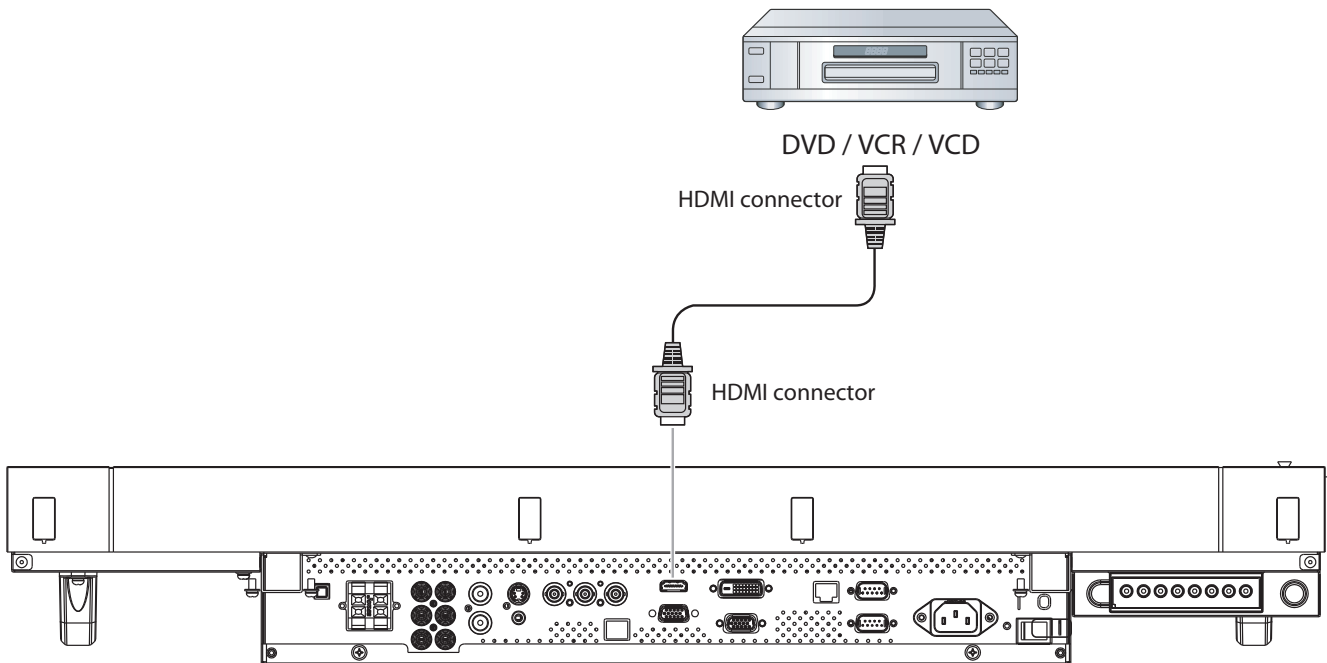


## 3.2. Connecting External Equipment (DVD/VCR/VCD)

### 3.2.1. Using COMPONENT video input

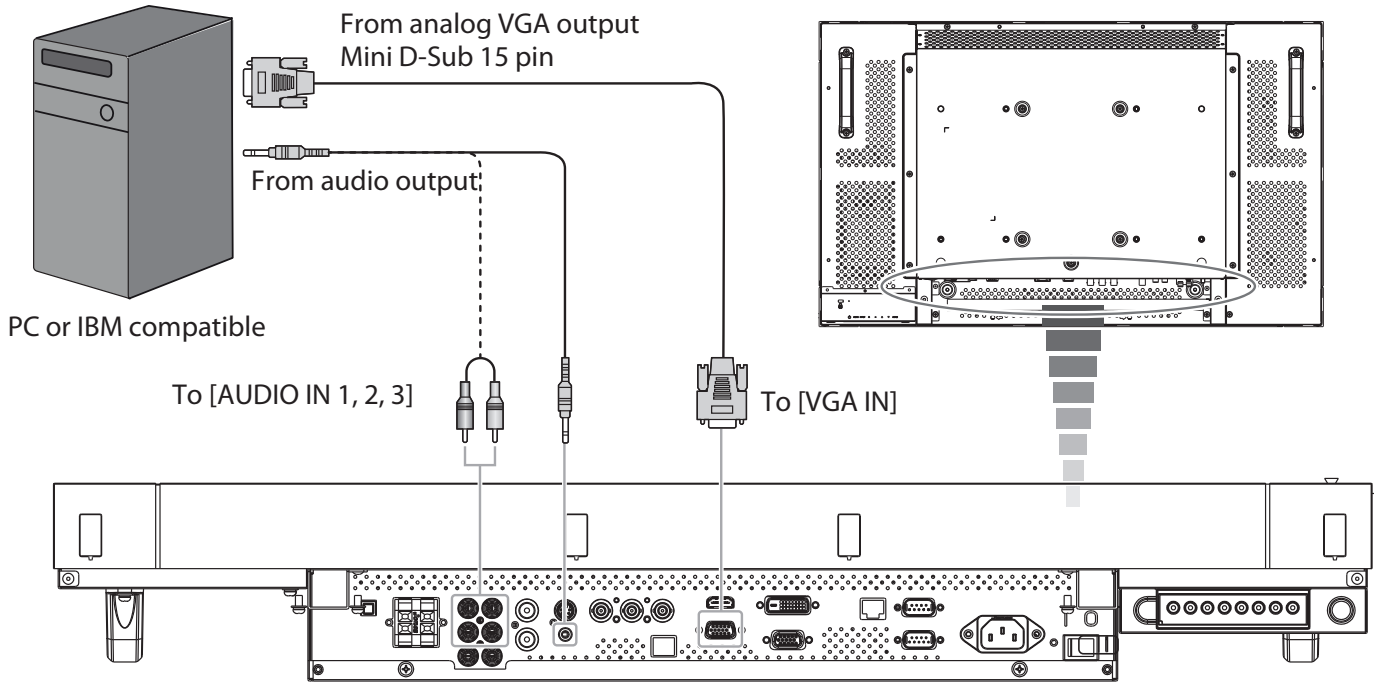


### 3.2.2. Using HDMI video input

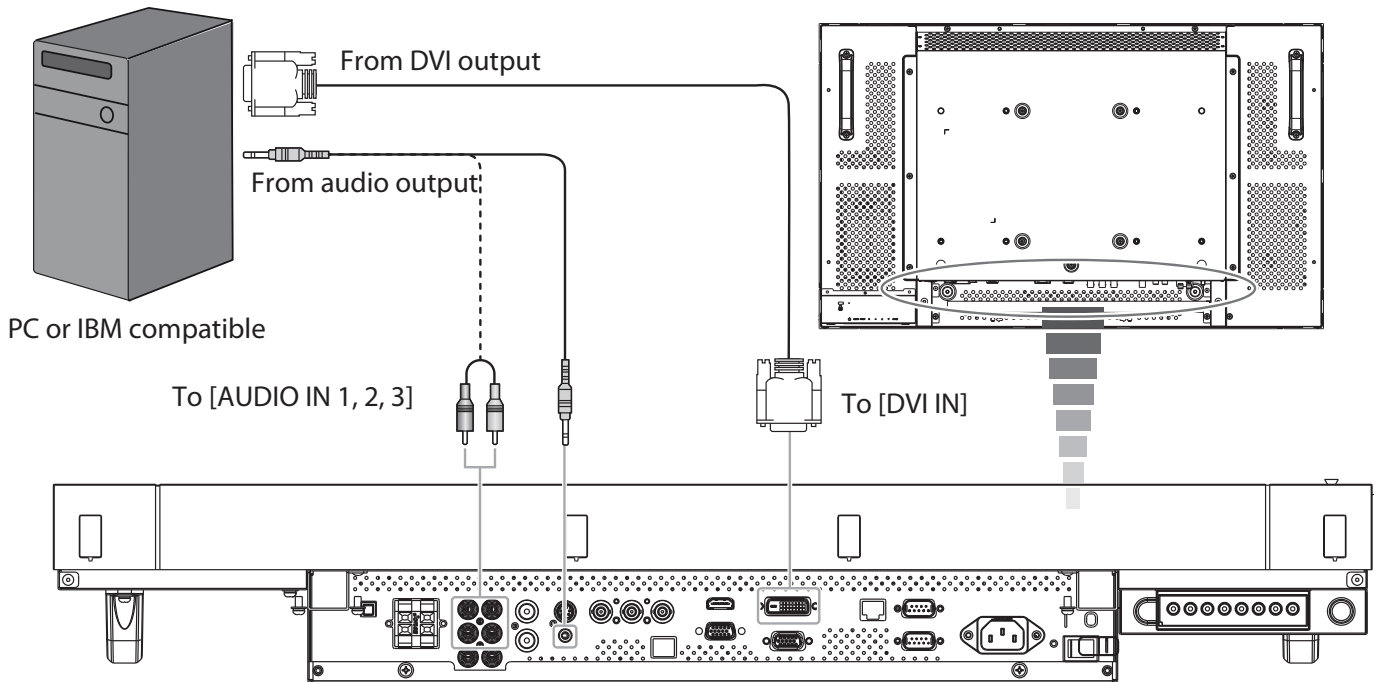


### 3.3. Connecting a PC

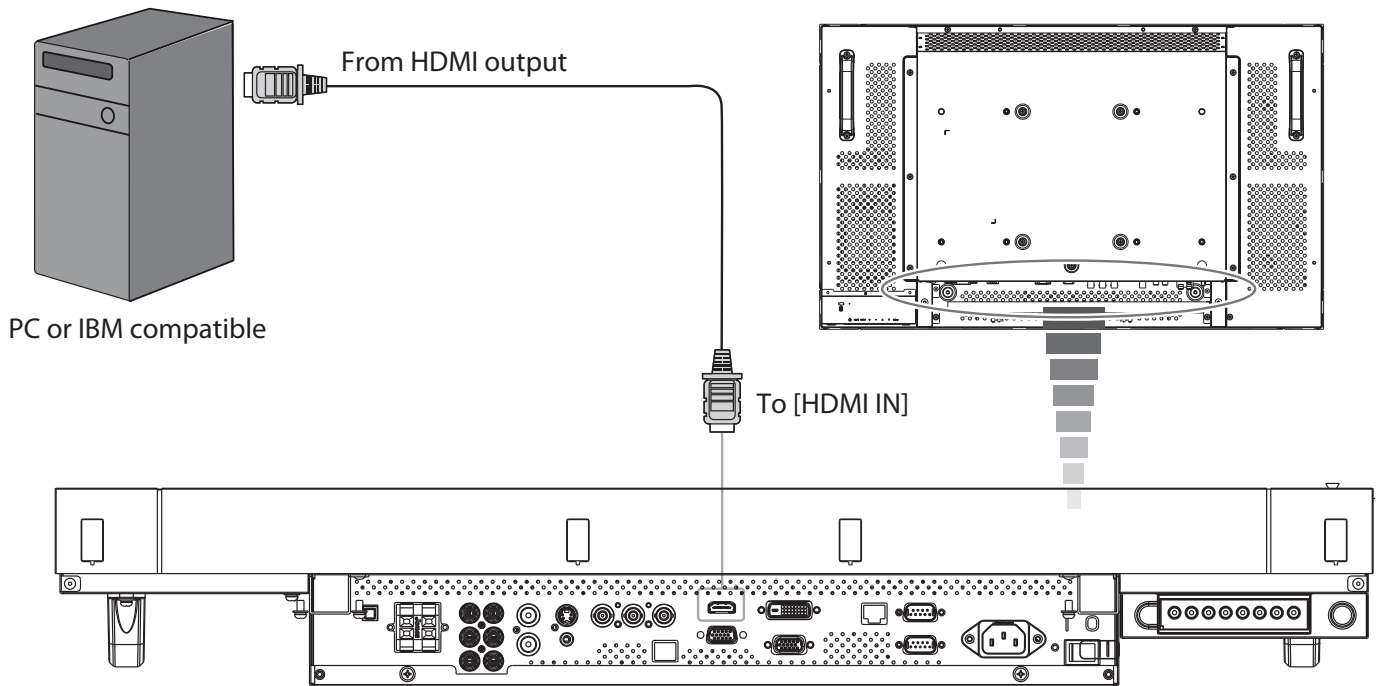
#### 3.3.1. Using VGA input



#### 3.3.2. Using DVI input



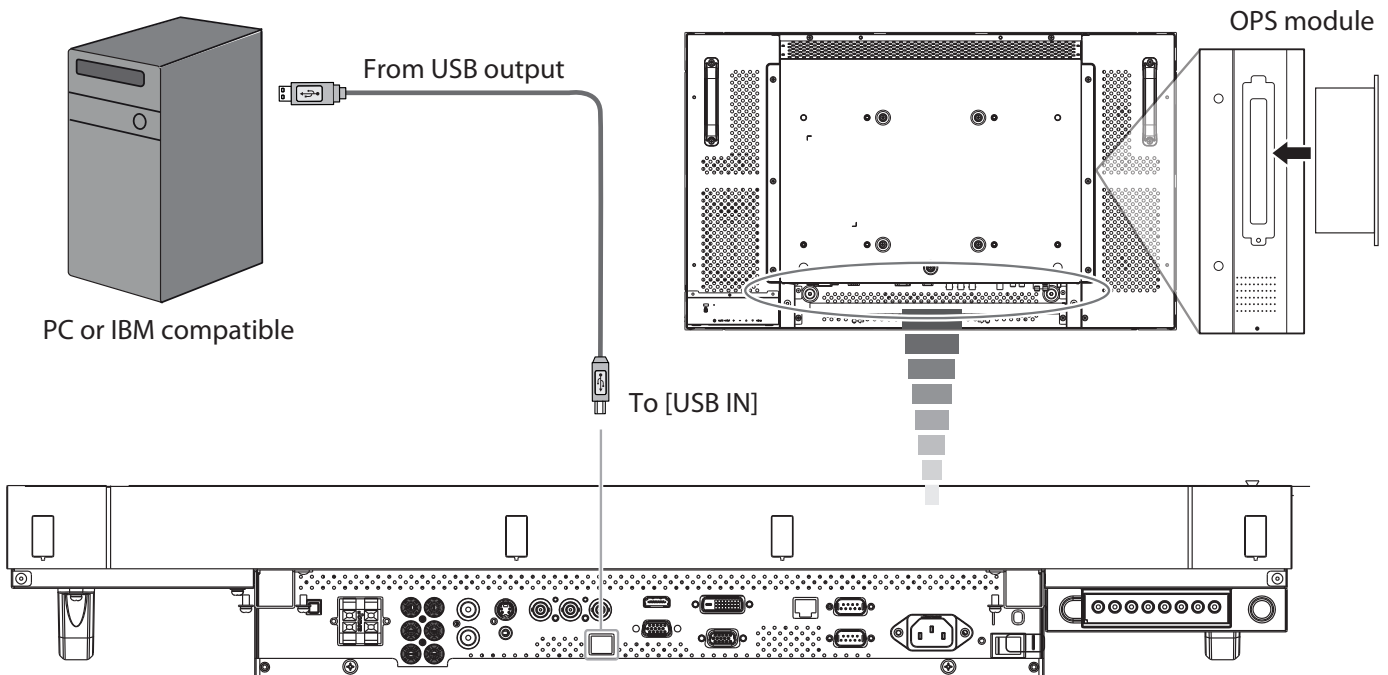
### 3.3.3. Using HDMI input



### 3.3.4. CONNECTING THE TOUCH MODULE

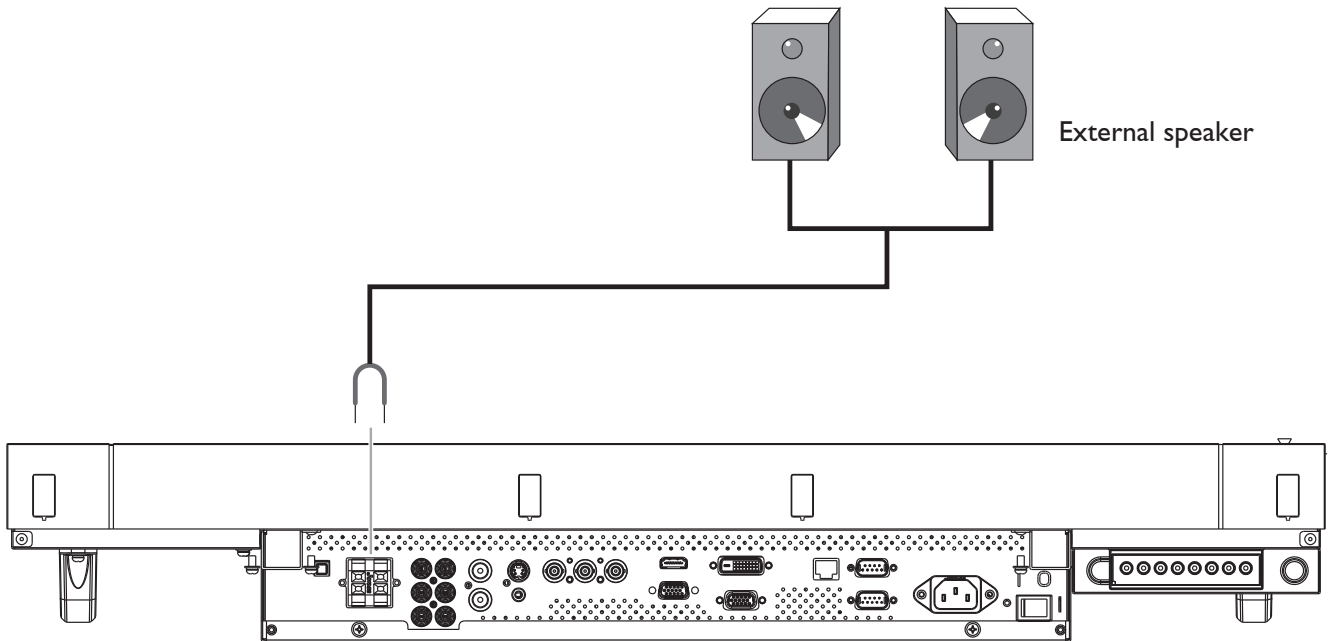
There are two ways to connect the touch module.

1. Connect the USB cable on the display to a PC.  
The touch module supports easy Plug-and-Play operations. There is no need to install additional drivers on the PC.
2. Install an OPS (Open Pluggable Specification) module in to the slot on the rear of the display. Refer to the module's documentation for user instructions.

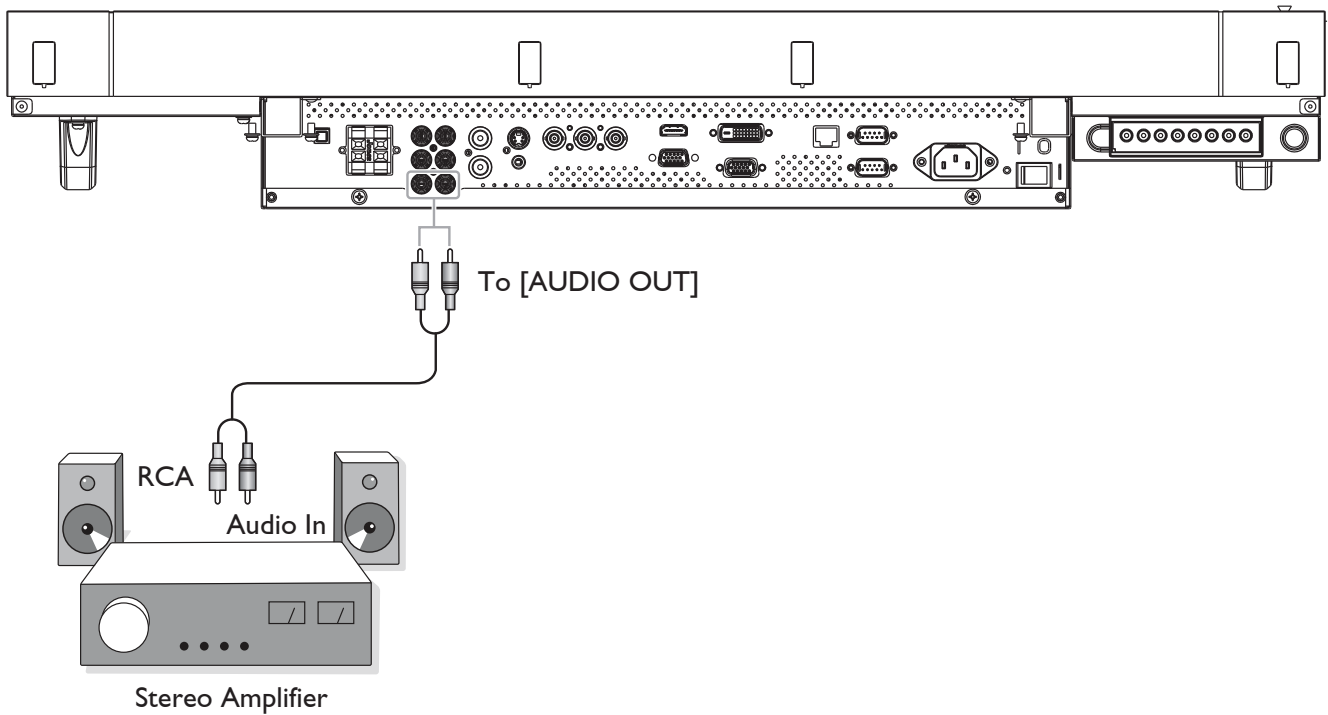


### 3.4. External Audio Connection

#### 3.4.1. Connecting external speakers



#### 3.4.2. Connecting an external audio device





### 3.5. Connecting Multiple Displays in a Daisy-chain Configuration

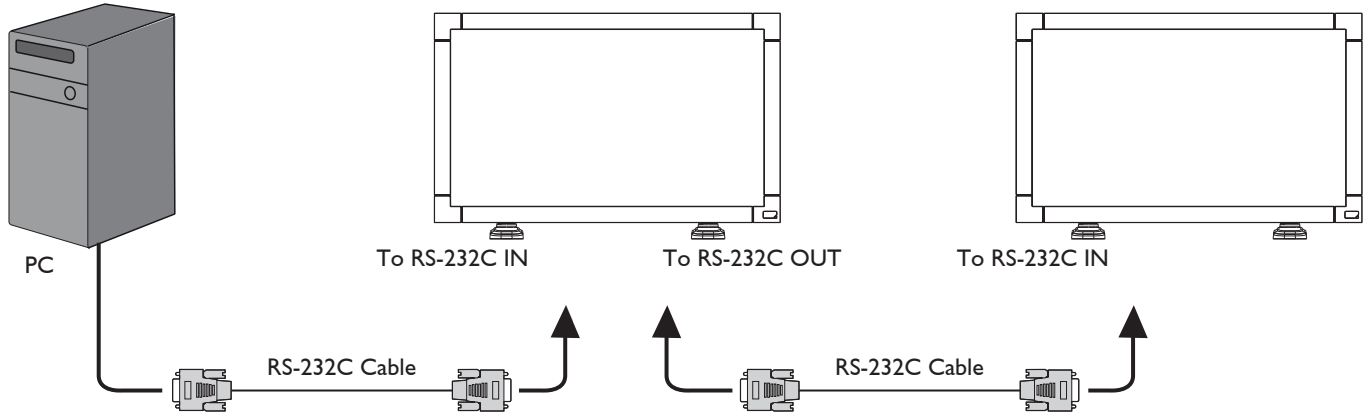
You can interconnect multiple displays to create a daisy-chain configuration for applications such as a video wall.

NOTE: Maximum 9 displays can be used in a daisy-chain configuration.

#### 3.5.1. Video connection

Connect one of the following:

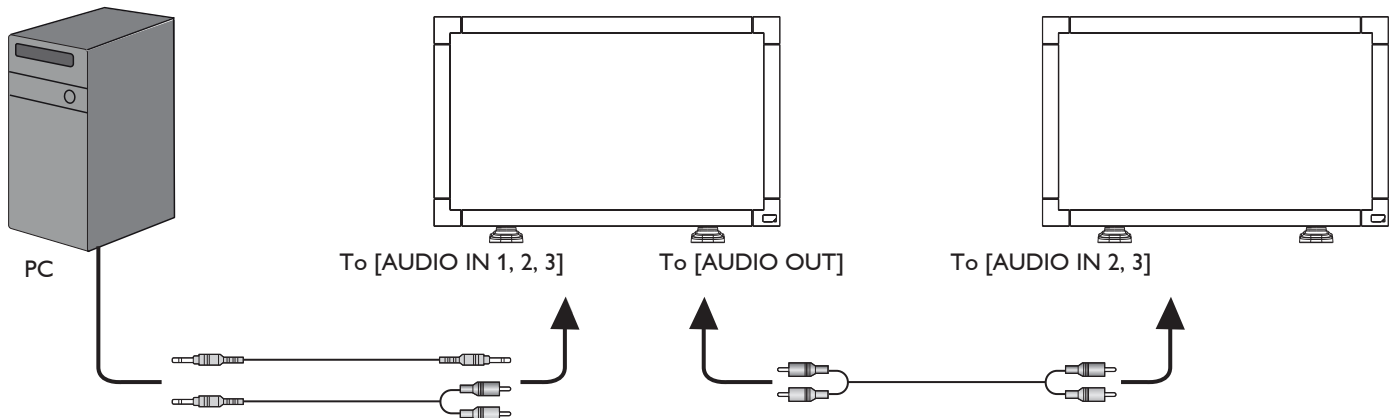
- Connect the [RS232C OUT] connector of display 1 to the [RS232C IN] connector of display 2.
- Connect the [VGA OUT] connector of display 1 to the [VGA IN] connector of display 2.
- Connect the [VIDEO OUT] connector of display 1 to the [VIDEO IN] connector of display 2.



#### 3.5.2. Audio connection

Do one the following connections:

- Connect the [AUDIO OUT] connector of display 1 to the [AUDIO IN 2] OR [AUDIO IN 3] connector of display 2.
- Connect the [VGA OUT] connector of display 1 to the [VGA IN] connector of display 2.
- Connect the [VIDEO OUT] connector of display 1 to the [VIDEO IN] connector of display 2.

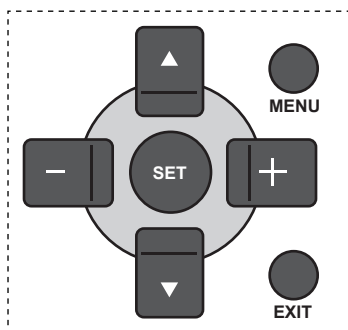


## 4. OSD Menu

An overall view of the On-Screen Display (OSD) structure is shown below. You can use it as a reference for further adjusting your display.

### 4.1. Navigating the OSD Menu

#### 4.1.1. Navigating the OSD menu using the remote control



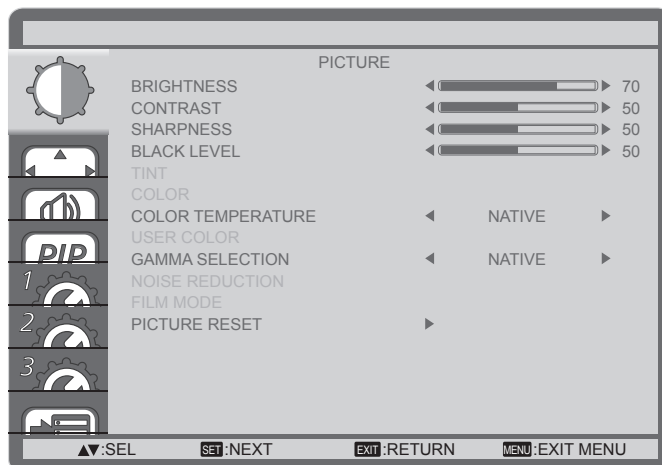
1. Press **[MENU]** button on the remote control to display the OSD menu.
2. Press **[▲]** or **[▼]** button to choose the item you want to adjust.
3. Press **[SET]** button to enter the submenu.
4. In the submenu, press **[▲]** or **[▼]** button to toggle among items, press **[+]** or **[-]** button to adjust settings. If there is a submenu, press **[SET]** button to enter the submenu.
5. Press **[EXIT]** button to return to the previous menu, or press **[MENU]** button to exit the OSD menu.

#### 4.1.2. Navigating the OSD menu using the display's control buttons

1. Press **[MENU]** button to display the OSD menu.
2. Press **[+]** or **[-]** button to choose the item you want to adjust.
3. Press **[SOURCE]** button to enter the submenu.
4. In the submenu, press **[▲]** or **[▼]** button to toggle among items, press **[+]** or **[-]** button to adjust settings. If there is a submenu, press **[SOURCE]** button to enter the submenu.
5. Press **[MENU]** button to return to the previous menu, or press **[MENU]** button several times to exit the OSD menu.

## 4.2. OSD Menu Overview

### 4.2.1. PICTURE menu



#### BRIGHTNESS

Adjust the overall image brightness by changing the intensity of the LCD panel's backlight.

#### CONTRAST

Adjust to sharpen the picture quality. The black portions of the picture become richer in darkness and the white become brighter.

#### SHARPNESS

Adjust to improve the image detail.

#### BLACK LEVEL

Adjust to change the image brightness.

#### TINT

Use the **[+]** or **[-]** button to adjust. Press the **[+]** button and the flesh tone color turns slightly green. Press the **[-]** button and the flesh tone color turns slightly purple.

NOTE: This item is functional for **HDMI**(Video mode), **S-Video**, **Video**, and **YPbPr** inputs only.

#### COLOR

Adjust to increase or decrease the intensity of colors in the image.

NOTE: This item is functional for **HDMI**(Video mode), **S-Video**, **Video**, and **YPbPr** inputs only.

#### COLOR TEMPERATURE

Select a color temperature for the image. A lower color temperature will have a reddish tint, whilst a higher color temperature gives off a more bluish tint.

The options are: **{3000K}** / **{4000K}** / **{5000K}** / **{6500K}** / **{7500K}** / **{9300K}** / **{10000K}** / **{NATIVE}** / **{USER}**.

#### USER COLOR

With this function you can adjust the color tones of the image precisely by changing the R (Red), G (Green) and B (Blue) settings independently.

NOTE: This item is functional only when **{COLOR TEMPERATURE}** is set to **{USER}**.

## GAMMA SELECTION

Gamma is what controls the overall brightness of an image. Images which are not corrected properly can appear too white or too dark, so controlling the gamma properly can have a huge influence on the overall picture quality of your display.

The options are: **{NATIVE}** / **{2.2}** / **{2.4}** / **{S GAMMA}**.

## NOISE REDUCTION

Adjust to remove the noise in the image. You can select a suitable noise reduction level.

The options are: **{OFF}** / **{LOW}** / **{MIDDLE}** / **{HIGH}**.

NOTE: This item is functional for **HDMI**(Video mode), **S-Video**, **Video**, and **YPbPr** inputs only.

## FILM MODE

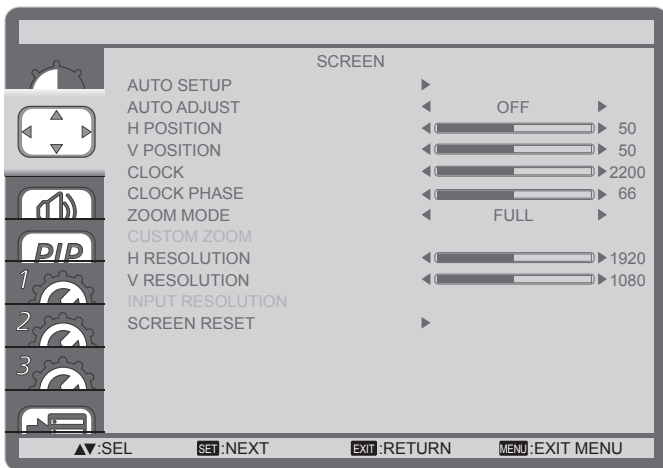
Choose to turn on or off the film mode frame conversion function.

- **{AUTO}** - Enable the film mode frame conversion function for movies and motion pictures. The display converts a 24 frames-per-second (24 fps) input signal format to DVD video signal format. Once this function is enabled, it is recommended that you set the **{SCAN CONVERSION}** function to **{PROGRESSIVE}**.
- **{OFF}** - Disable the film mode frame conversion function. This mode is suitable for TV broadcasting and VCR signals.

## PICTURE RESET

Reset all settings in the Picture menu to factory preset values.

### 4.2.2. SCREEN menu



## AUTO SETUP

Use this function to let the display automatically optimize the display of VGA input image.

NOTE: This item is functional for **VGA** input only.

## AUTO ADJUST

Choose to let the display detect and display available signal sources automatically.

- **{ON}** - Set the display to display the image automatically once a signal is connected.
- **{OFF}** - Once a signal is connected, it can only be selected manually.

## H POSITION

Press the **[+]** button to move the image to the right, or **[-]** to move the image to the left.

## V POSITION

Press the **[+]** button to move the image up, or **[-]** to move the image down.

## CLOCK

Adjust the width of the image.

NOTE: This item is functional for **VGA** input only.

## CLOCK PHASE

Adjust to improve the focus, clarity and stability of the image.

NOTE: This item is functional for **VGA** input only.

## ZOOM MODE

The pictures you receive may be transmitted in 16:9 format (wide screen) or 4:3 format (conventional screen). The 16:9 pictures sometimes have a black band at the top and bottom of the screen (letterbox format).

This function allows you to optimize the picture display on screen. The following zoom modes are available for:

- PC mode: **{FULL}** / **{NORMAL}** / **{CUSTOM}** / **{REAL}**.
- Video mode: **{FULL}** / **{NORMAL}** / **{DYNAMIC}** / **{CUSTOM}** / **{REAL}**.


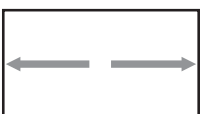

	<b>FULL</b> This mode restores the correct proportions of pictures transmitted in 16:9 using the full screen display.
	<b>NORMAL</b> The picture is reproduced in 4:3 format and a black band is displayed on either side of the picture.
	<b>DYNAMIC</b> Fill the entire screen by stretching 4:3 pictures non-proportionally.
	<b>CUSTOM</b> Choose to apply the custom zoom settings in the Custom Zoom submenu.
	<b>REAL</b> This mode displays the image pixel-by-pixel on screen without scaling the original image size.

## CUSTOM ZOOM

You can use this function to further customize the zoom settings to suit the image you want to display.

NOTE: This item is functional only when the **{ZOOM MODE}** setting is set to **{CUSTOM}**.

	<b>ZOOM</b> Expands the horizontal and vertical sizes of the image simultaneously.
	<b>H ZOOM</b> Expands the horizontal size of the image only.

	<b>V ZOOM</b> Expands the vertical size of the image only.
	<b>H POSITION</b> Moves the horizontal position of the image left or right.
	<b>V POSITION</b> Moves the vertical position of the image up or down.

### INPUT RESOLUTION

Set the resolution of the VGA input. This is only required when the display is unable to detect the VGA input resolution correctly.

NOTE: This item is functional for **VGA** input only.

The options are:

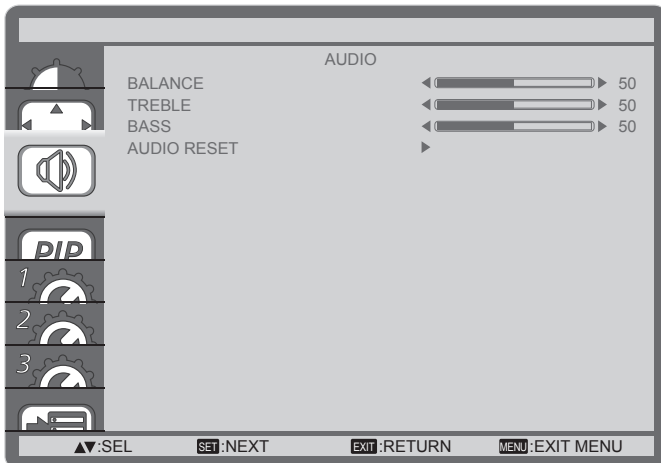
- {1024x768 / 1280x768 / 1360x768}
- {1400x1050 / 1680x1050}
- {1600x1200 / 1920x1200}
- {Auto}: Determines the resolution automatically.

The selected settings will become effective after turning off the power and turn it on again.

### SCREEN RESET

Reset all settings in the **SCREEN** menu to factory preset values.

### 4.2.3. AUDIO menu



#### BALANCE

Adjust to emphasize left or right audio output balance.

#### TREBLE

Adjust to increase or decrease higher-pitched sounds.

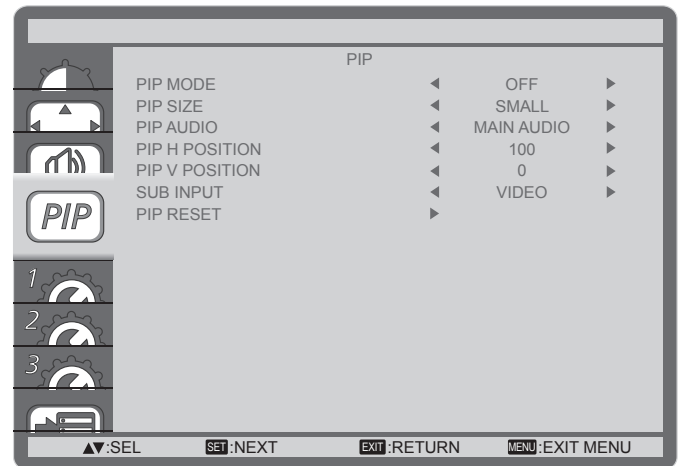
#### BASS

Adjust to increase or decrease lower-pitched sounds.

#### AUDIO RESET

Reset all settings in the **AUDIO** menu to factory preset values.

### 4.2.4. PIP menu



#### PIP MODE

Select the PIP (Picture-in-Picture) mode.

The options are: {OFF} / {PIP} / {POP} / {SBS ASPECT} / {SBS FULL}.

#### PIP SIZE

Select the size of the sub picture in the PIP (Picture-in-Picture) mode.

The options are: {SMALL} / {MIDDLE} / {LARGE}.

#### PIP AUDIO

Select the audio source in the PIP (Picture-in-Picture) mode.

- {MAIN AUDIO} - Select audio from the main picture
- {SUB AUDIO} - Select audio from the sub picture.

#### PIP H POSITION

Adjust the horizontal placement of the sub picture.

#### PIP V POSITION

Adjust the vertical placement of the sub picture.

#### SUB INPUT

Select the input signal for the sub-picture.

#### PIP RESET

Reset all settings in the **PIP** menu to factory preset values.

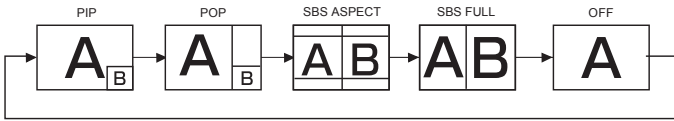
#### NOTES:

- The PIP function is available only for certain signal source combinations as shown in the table below.
- The availability of the PIP function will also depend on the resolution of the input signal being used.

Main Picture \ Sub Picture	DVI	VGA	HDMI	YPbPr	S-Video	Video	Card OPS
DVI	X	X	X	X	O	O	X
VGA	X	X	X	X	O	O	X
HDMI	X	X	X	X	O	O	X
YPbPr	X	X	X	X	O	O	X
S-Video	O	O	O	O	X	X	O
Video	O	O	O	O	X	X	O
Card OPS	X	X	X	X	O	O	X

(O: PIP function available, X: PIP function unavailable)

By pressing the [PIP ON/OFF] button on the remote control, you can change the mode in the order shown below:



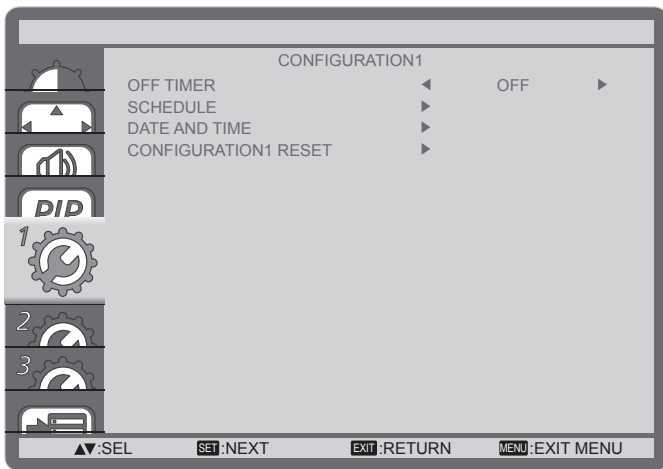
The resolutions in the PIP and POP modes are configured as follows:

- PIP SIZE {SMALL} : 320 x 240 pixels  
 {MIDDLE} : 480 x 320 pixels  
 {LARGE} : 640 x 480 pixels

POP SIZE : 474 x 355 pixels

NOTE: The images displayed in the sub picture always fit the PIP sizes shown above irrespective of the aspect ratio of the input image.

#### 4.2.5. CONFIGURATION1 menu



##### OFF TIMER

Set the display to turn itself off to standby mode within an amount of time specified.

The options are: {OFF, 1HOUR ~ 24HOURS} from current time.

##### SCHEDULE

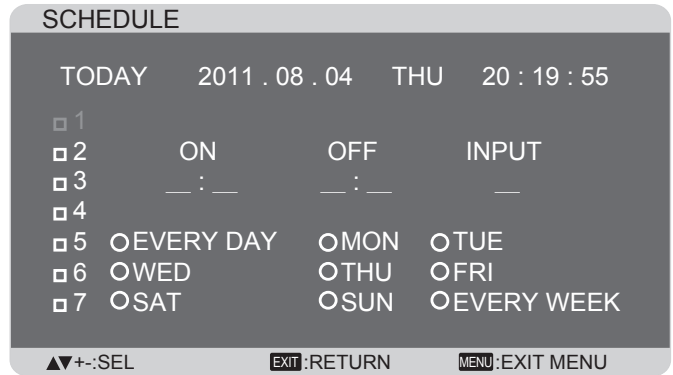
This function allows you to program up to 7 (seven) different scheduled time intervals for the display to activate.

You can select:

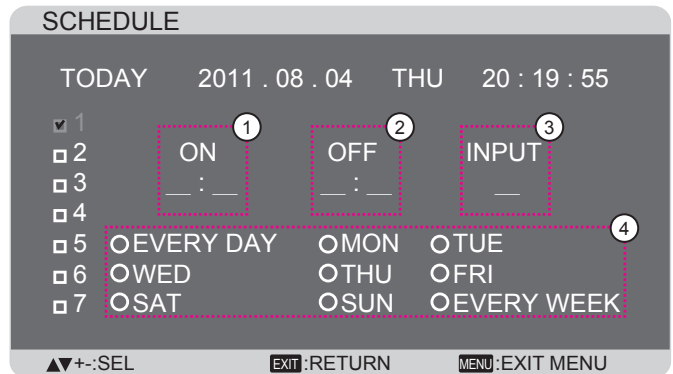
- The time for the display to turn on and turn off.
- The days in a week for the display to activate.
- Which input source the display will use for each scheduled activation period.

NOTE: You should set up current date and time in {DATE AND TIME} menu before using this function.

1. Press [SET] button to enter the submenu.



2. Press [▲] or [▼] button to select a schedule item (item number 1 ~ 7), and then press [SET] button to mark it the item number.



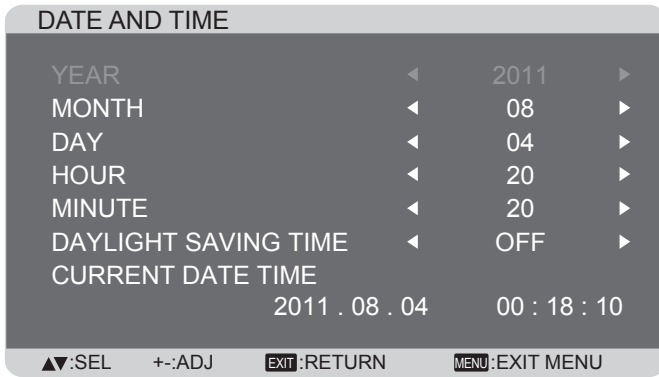
3. Press [+ ] or [- ] button to select the schedule:
- ① **POWER-ON** schedule: Press [▲] or [▼] button to set the hour and minute for the display to turn on.
  - ② **POWER-OFF** schedule: Press [▲] or [▼] button to set the hour and minute for the display to turn off. Select or leave an empty “\_” for both the hour and minute slot if you do not want to use this power-on or power-off schedule.
  - ③ **INPUT-SOURCE** selection: Press [▲] or [▼] button to select an input source. If no input source is selected, the input source will remain the same as last selected.
  - ④ **DATE** schedule: Press [+ ] button to select which day in a week this schedule item will be take effect, and then press the [SET] button.
4. For more schedule settings, press [EXIT] button and then repeat the steps above. A check mark in the box next to the number of the schedule item indicates that the selected schedule is in effect.

##### NOTES:

- The {EVERY DAY} selection in a schedule item takes priority over the other weekly schedules.
- If the schedule overlap, the scheduled power-on time takes priority over scheduled power-off time.
- If there are two schedule items programmed for the same time, the highest numbered schedule takes priority. For example, if schedule items #1 and #2 both set the display to power on at 7:00 AM and off at 5:00 PM, then only schedule item # 1 will take effect.

## DATE AND TIME

Adjust the current date and time for the display's internal clock.

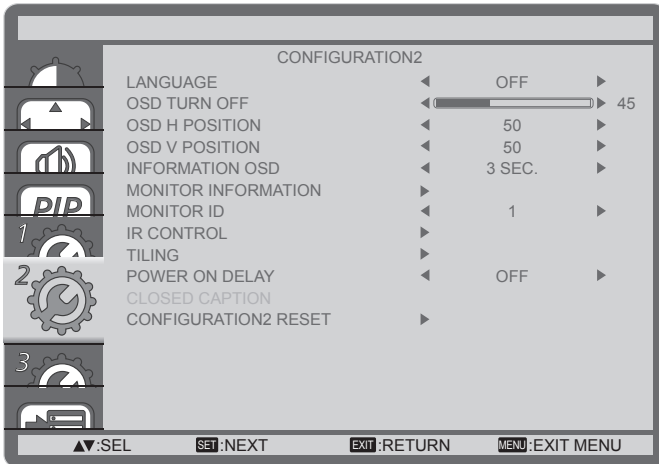


1. Press [SET] button to enter the submenu.
2. Press [▲] or [▼] button to toggle among the {YEAR}, {MONTH}, {DAY}, {HOUR}, {MINUTE}, and {DAYLIGHT SAVING TIME} settings.
3. Press [+ ] or [- ] button to adjust all settings except {DAYLIGHT SAVING TIME}.

## CONFIGURATION1 RESET

Reset all settings in the **CONFIGURATION1** menu to factory preset values.

## 4.2.6. CONFIGURATION2 menu



### LANGUAGE

Select the language used in the OSD menu.

The options are: {ENGLISH} / {DEUTSCH} / {FRANÇAIS} / {ITALIANO} / {ESPAÑOL} / {SVENSKA} / {日本語} / {中文}.

### OSD TURN OFF

Set the period of time the OSD menu stays on the screen.

The options are: {5 ~ 120} seconds.

### OSD H POSITION

Adjust the horizontal position of the OSD menu.

### OSD V POSITION

Adjust the vertical position of the OSD menu.

## INFORMATION OSD

Set the period of time the information OSD displayed on the upper right corner of the screen. The information OSD will display when input signal is changed.

The information OSD will remain on the screen with {OFF} selection.

The options are: {OFF, 3 SEC. ~ 10 SEC.}.

## MONITOR INFORMATION

Displays the information about your display, including **MODEL NAME** and **SERIAL**.

## MONITOR ID

Set the ID number for controlling the display via the RS232C connection. Each display must have a unique ID number when multiple sets of this display are connected.

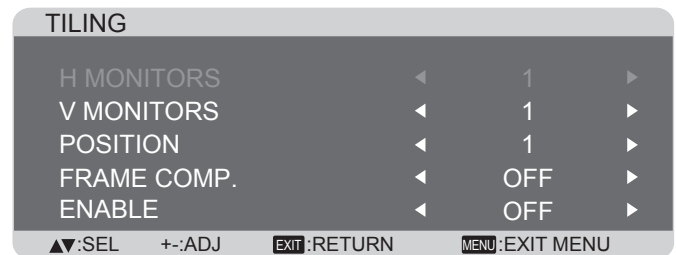
## IR CONTROL

Select the operation mode of the remote control unit when multiple displays are connected via the RS232C connection.

- {NORMAL} - All displays can be operated normally by the remote control.
- {LOCK} - Lock the remote control function of this display. To unlock, press and hold the [DISPLAY] button on the remote control for 5 (five) seconds.

## TILING

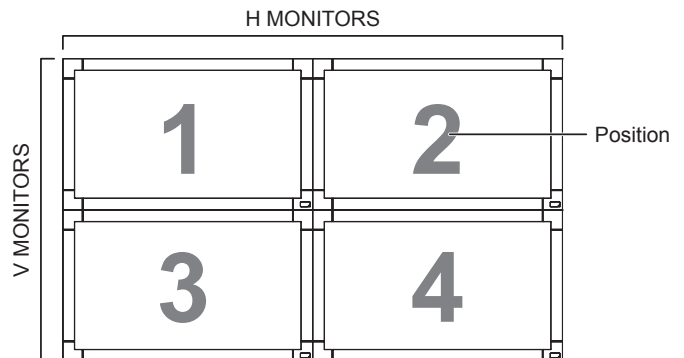
With this function you can create a single large-screen matrix (video wall) that consists of up to **25** sets of this display (**up to 5-set each at the vertical and horizontal side**). This function requires a daisy-chain connection.



### Example: 2 x 2 screen matrix (4 displays)

H MONITORS = 2 displays

V MONITORS = 2 displays

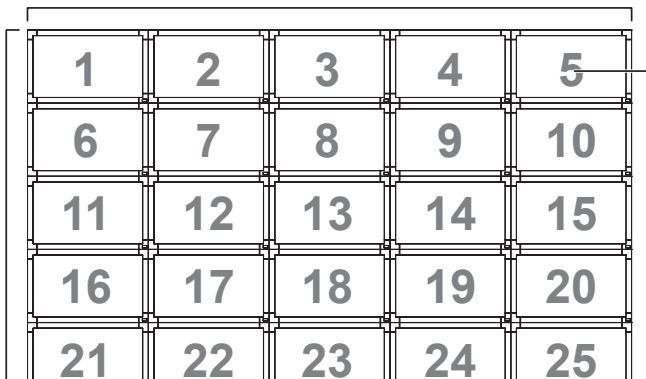




**Example: 5 x 5 screen matrix (25 displays)**

H MONITORS = 5 displays

V MONITORS = 5 displays



- **H MONITORS** - Select the number of displays on the horizontal side.
- **V MONITORS** - Select the number of displays on the vertical side.
- **POSITION** - Select the position of this display in the screen matrix.
- **FRAME COMP.** - Choose to turn the frame compensation function on or off. If turned on, the display will adjust the image to compensate for the width of the display bezels in order to accurately display the image.
- **ENABLE:** Choose to enable or disable the Tiling function. If enabled, the display will apply the settings in {H MONITORS}, {V MONITORS}, {POSITION}, and {FRAME COMP.}.

NOTE: The Tiling function will be disabled when the [ON/OFF] button for PIP is pressed.

**POWER ON DELAY**

Select the delayed time until the power-on mode is activated after the power is turned on manually or automatically. This setting is useful in hiding start-up messages and powering on the connected devices at different timings.

The options are: {OFF}, {2 SEC.}, {4 SEC.}, {6 SEC.}, {8 SEC.}, {10 SEC.}, {20 SEC.}, {30 SEC.}, {40 SEC.}, {50 SEC.}.

**CLOSED CAPTION**

Choose to display or hide captions.

NOTE: This item is functional for **S-VIDEO** or **VIDEO** input only.

- {OFF} - Captions are hidden.
- {CC1} - Captions are displayed in sync with the primary audio.
- {CC2} - Information (related to the primary audio) is displayed without sync.
- {CC3} - Captions are displayed in sync with the secondary audio.
- {CC4} - Information (related to the secondary audio) is displayed without sync.
- {TT1 / TT2 / TT3 / TT4} - Four types of information not related to the displayed images are displayed. (For example, news and weather forecast.)

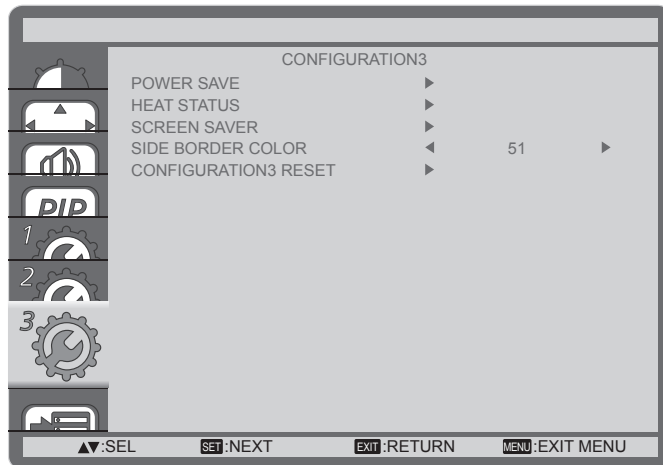
NOTE: Check with each supplier of your video software and external video devices in advance whether they are compliant with EIA-608-A. If their video signals are

not compliant with it, images may not be displayed correctly.

**CONFIGURATION2 RESET**

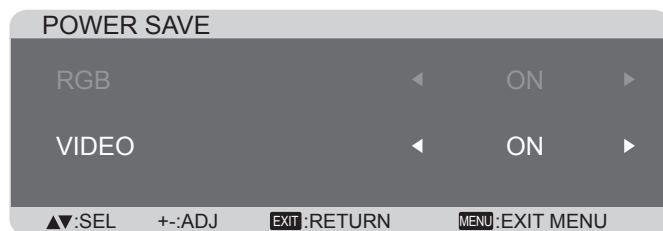
Reset all settings in the **CONFIGURATION2** menu to factory preset values.

**4.2.7. CONFIGURATION3 menu**



**POWER SAVE**

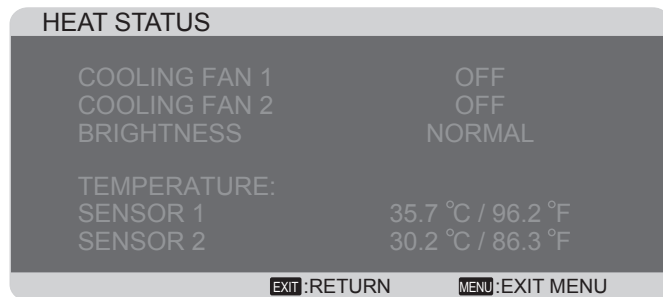
Set the display to reduce the power automatically.



- {RGB} - Select {ON} to let the display enter DPMS mode with no signal detected from the HDMI Graphic mode, HDMI, DVI-D, or VGA inputs after three successive cycles.
- {VIDEO} - Select {ON} to let the display enter power saving mode with no signal detected from the HDMI Video mode or YPbPr inputs after three successive cycles.

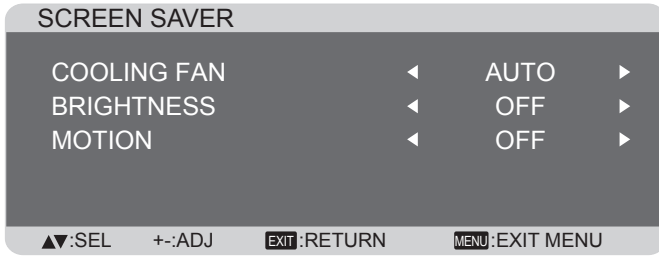
**HEAT STATUS**

This function allows you to check the thermal status of the display at any time.



## SCREEN SAVER

Choose to enable the panel saving functions to reduce the risk of the “image persistence”.



- **{COOLING FAN}** - Select **{ON}** to turn on the cooling fan all the time. Select **{AUTO}** to turn on/off the cooling fan according to the display's temperature.

### NOTES:

- The default **{AUTO}** option will start running the cooling fan if the temperature of **65°C (152°F)** is reached, and will keep running for **30** minutes after cooling down to the temperature of **62°C (144°F)**.
- A temperature-warning message will be shown on the screen once the temperature reaches **79°C**. All key function except **[Power]** key will then be disabled.
- **{BRIGHTNESS}** - Select **{ON}** and the brightness of the image will be reduced to an appropriate level, and the Brightness setting in the Picture menu will become unavailable.
- **{MOTION}** - Select the time interval (**{10 ~ 900}** Seconds / **{OFF}**) for the display to slightly expand the image size and shift the position of pixels in four directions (up, down, left, or right).

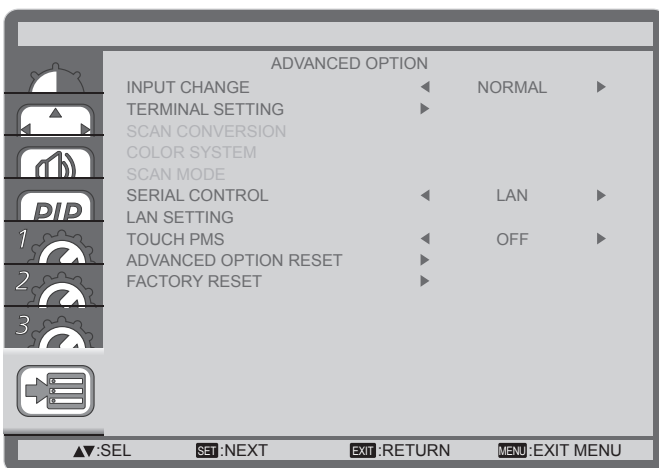
## SIDE BORDER COLOR

Adjust the brightness of the black areas displayed on both sides of 4:3 images.

## CONFIGURATION3 RESET

Reset all settings in the **CONFIGURATION3** menu to factory preset values.

## 4.2.8. ADVANCED OPTION menu



## INPUT CHANGE

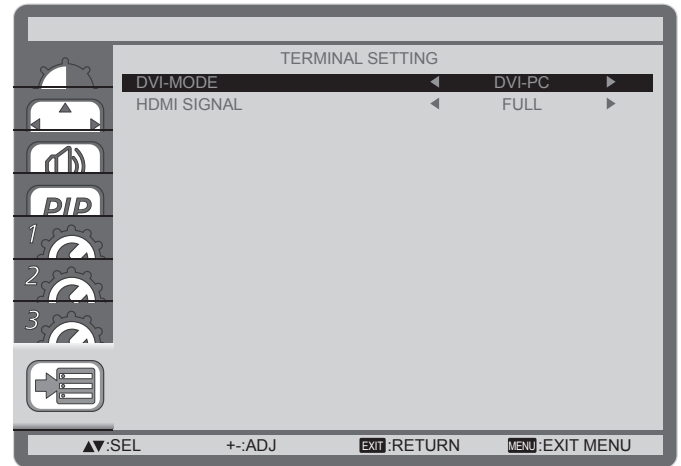
Select the time for input switching as **{NORMAL}** or **{QUICK}**.

NOTE: The selection **{QUICK}** may cause a slight noise.

## TERMINAL SETTING

Select the mode to display the HDMI or DVI signal according to their signal format depending on their source device.

- **{DVI MODE}**: Used for DVI-D signal.
  - Select **{DVI-PC}** when the source device is a PC.
  - Select **{DVI-HD}** when the source device is a video device.
- **{HDMI SIGNAL}**: Used for HDMI signal.
  - Select **{LIMITED}** when displaying the signal that uses 16 to 235 levels of 256 levels for each R, G, and B.
  - Select **{FULL}** when displaying the signal that uses all 256 levels (from level 0 to 255).



## SCAN CONVERSION

Choose to enable or disable the IP (Interlace to Progressive) conversion function.

- **{PROGRESSIVE}** - Enable the IP conversion function (recommended). Once enabled, the interlace input signal will be converted to progressive format for better display quality.
- **{INTERLACE}** - Disable the IP function. This mode is suitable for displaying motion pictures, but it increases the chance of image retention.

## COLOR SYSTEM

Selects the Color System depends on your input video format.

The options are: **{AUTO}** / **{NTSC}** / **{PAL}** / **{SECAM}** / **{4.43NTSC}** / **{PAL-60}**.

NOTE: This item is functional for **S-VIDEO** or **VIDEO** input only.

## SCAN MODE

Change the display area of the image.

- **{OVERSCAN}** - Display about 95% of the original size of the image. The rest of the areas surrounding the image will be cut off.
- **{UNDERSCAN}** - Display the image in its original size.

NOTE: This item is functional for **HDMI-Video** timing input only.

## SERIAL CONTROL

Select the network control port.

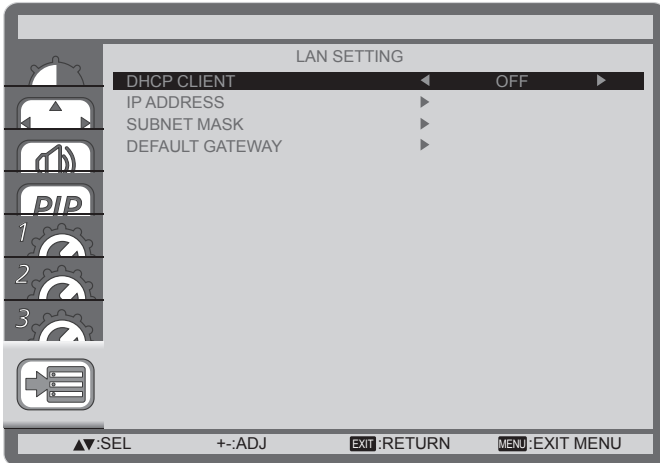
The options are: **{RS-232C}** / **{LAN}**.

NOTE: If **{LAN}** is selected, then **{RS-232C}** will not be activated, even if a cable is attached, and vice versa.



## LAN SETTING

Assign {IP ADDRESS}, {SUBNET MASK}, and {DEFAULT GATEWAY} for the display.



- DHCP - Choose to enable or disable the DHCP function. If enabled, the display will be assigned IP address, Subnet mask and Default gateway automatically. If disabled, you will be prompted to enter the following value manually. Finally, press [SET] button to store and save the chosen values.

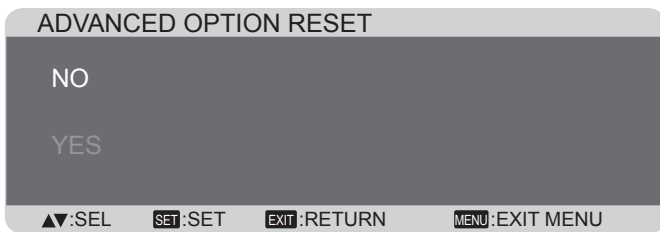
### Touch PMS

Enable and disable wake up from power saving mode by touch screen.

### ADVANCED OPTION RESET

Reset all settings in the **ADVANCED OPTION** menu to factory preset values.

1. Press [SET] button to enter the submenu.
2. Press [▲] or [▼] button to select {YES}, and then press [SET] button to do the reset.



### FACTORY RESET

Reset all the settings in the OSD menus of {PICTURE}, {SCREEN}, {AUDIO}, {PIP}, {CONFIGURATION1}, {CONFIGURATION2}, {CONFIGURATION3}, and {ADVANCED OPTION} to factory preset values.

1. Press [SET] button to enter the submenu.
2. Press [▲] or [▼] button to select {YES}, and then press [SET] button to do the reset.



## 5. Input Mode

### VGA Resolution:

Standard Resolution	Active Resolution		Refresh Rate	Pixel Rate	Aspect Ratio	Stand for Mode
	H Pixels	V Lines				
VGA	640	480	60 Hz	25.175 MHz	4:3	Video Graphic Array
		480	72 Hz	31.5 MHz		
		480	75 Hz	31.5 MHz		
WVGA	720	400	70 Hz	33.75 MHz	16:9	Wide Video Graphic Array
SVGA	800	600	60 Hz	40 MHz	4:3	Super VGA
		600	75 Hz	49.5 MHz		
XGA	1024	768	60 Hz	65 MHz	4:3	Extended Graphic Array
		768	75 Hz	78.75 MHz		
WXGA	1280	768	60 Hz	79.5 MHz	5:3	Wide XGA
WXGA	1280	800	60 Hz	79.5 MHz	16:10	Wide XGA
SXGA	1280	960	60 Hz	108 MHz	4:3	Super XGA
SXGA	1280	1024	60 Hz	108 MHz	5:4	Super XGA
WXGA	1360	768	60 Hz	85.5 MHz	16:9	Wide XGA
WXGA	1366	768	60 Hz	85.5 MHz	16:9	Wide XGA
UXGA	1600	1200	60 Hz	162 MHz	4:3	Ultra XGA
HD1080	1920	1080	60 Hz	148.5 MHz	16:9	HD1080

### SDTV Resolution:

Standard Resolution	Active Resolution		Refresh Rate	Pixel Rate	Aspect Ratio	Stand for Mode
	H Pixels	V Lines				
480i	720	480	29.97 Hz	13.5 MHz	4:3	Modified NTSC Standard
480p			59.94 Hz	27 MHz		
576i	720	480	25 Hz	13.5 MHz	4:3	Modified PAL Standard
576p			50 Hz	27 MHz		

### HDTV Resolution:

Standard Resolution	Active Resolution		Refresh Rate	Pixel Rate	Aspect Ratio	Stand for Mode
	H Pixels	V Lines				
720p	1280	720	50 Hz	74.25 MHz	16:9	Normally DVB Mode
			60 Hz			
1080i	1920	1080	25 Hz	74.25 MHz	16:9	Normally ATSC Mode
			30 Hz			
1080p	1920	1080	50 Hz	148.5 MHz	16:9	Normally ATSC Mode
			60 Hz			

- The PC text quality is optimum in HD 1080 mode (1920 x 1080, 60Hz). CDP3235 is 1366x768, 60Hz mode.
- Your PC display screen might appear different depending on the manufacture (and your particular version of Windows).
- Check your PC instruction book for information about connecting your PC to a monitor.
- If a vertical and horizontal frequency-select mode exists, select 60Hz (vertical) and 31.5KHz (horizontal). In some cases, abnormal signals (such as stripes) might appear on the screen when the PC power is turned off (or if the PC is disconnected). If so, press the **[INPUT]** button to enter the video mode. Also, make sure that the PC is connected.
- When horizontal synchronous signals seem irregular in RGB mode, check PC power saving mode or cable connections.
- The display settings table complies to the IBM/VESA standards, and based on the analog input.
- The DVI support mode is regarded as same to the PC support mode.
- The best timing for the vertical frequency to each mode is 60Hz.

## 6. Cleaning and Troubleshooting

### 6.1. Cleaning

#### Caution When Using the Display

- Do not bring your hands, face or objects close to the ventilation holes of the display. The top of the display is usually very hot due to the high temperature of exhaust air being released through the ventilation holes. Burns or personal injuries may occur if any body parts are brought too close. Placing any object near the top of the display could also result in heat related damage to the object as well as the display itself.
- Be sure to disconnect all cables before moving the display. Moving the display with its cables attached may damage the cables and thus cause fire or electric shock.
- Disconnect the power plug from the wall outlet as a safety precaution before carrying out any type of cleaning or maintenance procedure.

#### Front Panel Cleaning Instructions

- The front of the display has been specially treated. Wipe the surface gently using only a cleaning cloth or a soft, lint-free cloth.
- If the surface becomes dirty, soak a soft, lint-free cloth in a mild detergent solution. Wring the cloth to remove excess liquid. Wipe the surface of the display to remove dirt. Then use a dry cloth of the same type to dry.
- Do not scratch or hit the surface of the panel with fingers or hard objects of any kind.
- Do not use volatile substances such as insect sprays, solvents and thinners.

#### Cabinet Cleaning Instructions

- If the cabinet becomes dirty, wipe the cabinet with a soft, dry cloth.
- If the cabinet is extremely dirty, soak a lint-free cloth in a mild detergent solution. Wring the cloth to remove as much moisture as possible. Wipe the cabinet. Use another dry cloth to wipe over until the surface is dry.
- Do not allow any water or detergent to come into contact with the surface of the display. If water or moisture gets inside the unit, operating problems, electrical and shock hazards may result.
- Do not scratch or hit the cabinet with fingers or hard objects of any kind.
- Do not use volatile substances such as insect sprays, solvents and thinners on the cabinet.
- Do not place anything made from rubber or PVC near the cabinet for any extended periods of time.

## 6.2. Troubleshooting

Symptom	Possible Cause	Remedy
<b>No picture is displayed</b>	<ol style="list-style-type: none"> <li>1. The power cord is disconnected.</li> <li>2. The main power switch on the back of the display is not switched on.</li> <li>3. The selected input has no connection.</li> <li>4. The display is in standby mode.</li> </ol>	<ol style="list-style-type: none"> <li>1. Plug in the power cord.</li> <li>2. Make sure the power switch is switched on.</li> <li>3. Connect a signal connection to the display.</li> </ol>
<b>Interference displayed on the display or audible noise is heard</b>	Caused by surrounding electrical appliances or fluorescent lights.	Move the display to another location to see if the interference is reduced.
<b>Color is abnormal</b>	The signal cable is not connected properly.	Make sure that the signal cable is attached firmly to the back of the display.
<b>Picture is distorted with abnormal patterns</b>	<ol style="list-style-type: none"> <li>1. The signal cable is not connected properly.</li> <li>2. The input signal is beyond the capabilities of the display.</li> </ol>	<ol style="list-style-type: none"> <li>1. Make sure that the signal cable is attached firmly.</li> <li>2. Check the video signal source to see if it is beyond the range of the display. Please verify its specifications with this display's specification section.</li> </ol>
<b>Display image doesn't fill up the full size of the screen</b>	The zoom mode is not correctly set.	Use the Zoom mode or Custom zoom function in the Screen menu to fine tune display geometry and time frequency parameter.
<b>Can hear sound, but no picture</b>	Improperly connected source signal cable.	Make sure that both video inputs and sound inputs are correctly connected.
<b>Can see picture but no sound is heard</b>	<ol style="list-style-type: none"> <li>1. Improperly connected source signal cable.</li> <li>2. Volume is turned all the way down.</li> <li>3. <b>[MUTE]</b> is turned on.</li> <li>4. No external speaker connected.</li> </ol>	<ol style="list-style-type: none"> <li>1. Make sure that both video inputs and sound inputs are correctly connected.</li> <li>2. Press <b>[VOL UP]</b> or <b>[VOL DOWN]</b> button to hear sound.</li> <li>3. Switch MUTE off by using the <b>[MUTE]</b> button.</li> <li>4. Connect external speakers and adjust the volume to a suitable level.</li> </ol>
<b>Some picture elements do not light up</b>	Some pixels of the display may not turn on.	This display is manufactured using an extremely high level of precision technology; however, sometimes some pixels of the display may not display. This is not a malfunction.
<b>After-Images can still be seen on the display after the display is powered off. (Examples of still pictures include logos, video games, computer images, and images displayed in 4:3 normal mode)</b>	A still picture is displayed for an over extended period of time	Do not allow a still image to be displayed for an extended period of time as this can cause a permanent after-image to remain on the display.

## 7. Technical Specifications

### CDP3235

#### Display:

Item	Specifications
Screen Size (Active Area)	80.1cm/32"(31.5" viewable) Diagonal, 697.689mm(H), 392.256mm(V)
Aspect ratio	16:9
Number of pixels	1366 (H) x 768 (V)
Pixel pitch	0.51075 (H) x 0.51075 (V) [mm]
Displayable colors	16.7M colors
Brightness (typical)	450 cd/m <sup>2</sup>
Contrast ratio (typical)	3000:1
Viewing angle	178 degrees

#### In/Out Terminals:

Item	Specifications
Speaker Output	Internal Speaker 10W (L) + 10W (R) [RMS]/8Ω 1 Way 1 Speaker System 82 dB/W/M/160 Hz ~ 13 KHz
Audio Output	RCA Jack x 1 0.5V [rms] (Normal)/ 2 Channel (L+R)
Audio Input	RCA Jack x 2 3.5 mm Stereo x 1 0.5V [rms] (Normal)/ 2 Channel (L+R)
RS232C	D-Sub Jack x 2 (9 pin) TXD + RXD (1:1)
RJ-45	RJ-45 Jack x 1 (8 pin) 10/100 LAN Port
HDMI Input	HDMI Jack x 1 (Type A) (18 pin) Digital RGB: TMDS (Video + Audio) MAX: Video - 720p, 1080p, 1920 x 1080/60 Hz (WUXGA) Audio - 48 KHz/ 2 Channel (L+R) Supports LPCM only
DVI-D Input	DVI-D jack Digital RGB: TMDS (Video)
VGA Input	D-Sub Jack x 1 (15 pin) Analog RGB: 0.7V [p-p] (75Ω), H/CS/V: TTL (2.2kΩ), SOG: 1V [p-p] (75Ω) MAX: 720p, 1080p, 1920 x 1080/60 Hz (WUXGA)
VGA Output	D-Sub Jack x 1 (15 pin) Analog RGB: 0.7V [p-p] (75Ω), H/CS/V: TTL (2.2kΩ), SOG: 1V [p-p] (75Ω) MAX: 720p, 1080p, 1920 x 1080/60 Hz (WUXGA)
Component Input	BNC Jack x 3 Y: 1V [p-p] (75Ω), Pb: 0.7V [p-p] (75Ω), Pr: 0.7V [p-p] (75Ω) MAX: 480i, 576i, 480p, 576p, 720p, 1080i, 1080p
Video Input	S-VIDEO Jack x 1 BNC Jack x 1 Y: 1V [p-p] (75Ω), C: 0.3V [p-p] (75Ω) Composite 1V [p-p] (75Ω)
Video Output	BNC Jack x 1 Composite 1V [p-p] (75Ω)

#### General:

Item	Specifications
Power Supply	AC 100 ~ 240V, 50 ~ 60Hz
Power Consumption (Max)	160W
Power Consumption (typ.)	140W
Power Consumption (Standby & Off)	<1W (RS232 in active)
Dimensions (With Stand) [W x H x D]	773.6 x 505.1 x 239.8 mm
Dimensions (Without Stand) [W x H x D]	773.6 x 468.3 x 116 mm
Weight (With Stand)	14.19kg
Weight (Without Stand)	12.93kg

Gross Weight	16.5kg
VESA Wall mount	400x200mm,200x200, M6

**Environmental Condition:**

Item		Specifications
Temperature	Operational	0 ~ 40°C
	Storage	-20 ~ 60°C
Humidity	Operational	20 ~ 80% RH (No condensation)
	Storage	5 ~ 95% RH (No condensation)
Altitude	Operational	0 ~ 3,000 m
	Storage / Shipment	0 ~ 9,000 m

**Internal Speaker:**

Item	Specifications
Output	10W+10W (RMS)
Impedance	8Ω
Output Sound Pressure	82 dB/W/M
Frequency Response	160 Hz ~ 13 KHz

**CDP4235/CDP4235-T****Display:**

Item	Specifications
Screen Size (Active Area)	42" LCD 106.7cm/42" Diagonal, 930.24mm(H), 523.26mm(V)
Aspect ratio	16:9
Backlight	CCFL
Number of pixels	1920 (H) x 1080 (V)
Pixel pitch	0.4845 (H) x 0.4845 (V) [mm]
Displayable colors	16.7M colors
Brightness (typical)	450 cd/m <sup>2</sup>
Contrast ratio (typical)	4000:1
Viewing angle	178 degrees

**In/Out Terminals:**

Item	Specifications
Speaker Output	Internal Speaker 10W (L) + 10W (R) [RMS]/8Ω 1 Way 1 Speaker System 82 dB/W/M/160 Hz ~ 13 KHz
Audio Output	RCA Jack x 1 0.5V [rms] (Normal)/ 2 Channel (L+R)
Audio Input	RCA Jack x 2 3.5 mm Stereo x 1 0.5V [rms] (Normal)/ 2 Channel (L+R)
RS232C	D-Sub Jack x 2 (9 pin) TXD + RXD (1:1)
RJ-45	RJ-45 Jack x 1 (8 pin) 10/100 LAN Port
HDMI Input	HDMI Jack x 1 (Type A) (18 pin) Digital RGB: TMDS (Video + Audio) MAX: Video - 720p, 1080p, 1920 x 1080/60 Hz (WUXGA) Audio - 48 KHz/ 2 Channel (L+R) Supports LPCM only
DVI-D Input	DVI-D jack Digital RGB: TMDS (Video)
VGA Input	D-Sub Jack x 1 (15 pin) Analog RGB: 0.7V [p-p] (75Ω), H/CS/V: TTL (2.2kΩ), SOG: 1V [p-p] (75Ω) MAX: 720p, 1080p, 1920 x 1080/60 Hz (WUXGA)
VGA Output	D-Sub Jack x 1 (15 pin) Analog RGB: 0.7V [p-p] (75Ω), H/CS/V: TTL (2.2kΩ), SOG: 1V [p-p] (75Ω) MAX: 720p, 1080p, 1920 x 1080/60 Hz (WUXGA)
Component Input	BNC Jack x 3 Y: 1V [p-p] (75Ω), Pb: 0.7V [p-p] (75Ω), Pr: 0.7V [p-p] (75Ω) MAX: 480i, 576i, 480p, 576p, 720p, 1080i, 1080p
Video Input	S-VIDEO Jack x 1 BNC Jack x 1 Y: 1V [p-p] (75Ω), C: 0.3V [p-p] (75Ω) Composite 1V [p-p] (75Ω)
Video Output	BNC Jack x 1 Composite 1V [p-p] (75Ω)
External slot	OPS Expansion slot adapter fr Open Pluggable Specification(OPS) card

**General:**

Specifications		
Item	CDP4235	CDP4235-T
Power Supply	AC 100 ~ 240V, 50 ~ 60Hz	
Power Consumption (Max)	260W	
Power Consumption (typ.)	210W	
Power Consumption (Standby & Off)	<1W (RS232 in active)	
Dimensions (With Stand) [W x H x D]	991.6 x 621 x 329.8 mm	991.6 x 621 x 329.8 mm
Dimensions (Without Stand) [W x H x D]	991.6 x 584 x 115.5 mm	991.6 x 584 x 128 mm
Weight (With Stand)	22.96 Kg	29.6 Kg
Weight (Without Stand)	21.36 Kg	28 Kg

VESA Wall mount	400x200mm,200x200, M6	
Gross Weight	27.5 Kg	26.8 Kg

**Environmental Condition:**

Item		Specifications
Temperature	Operational	0 ~ 40°C
	Storage	-20 ~ 60°C
Humidity	Operational	20 ~ 80% RH (No condensation)
	Storage	5 ~ 95% RH (No condensation)
Altitude	Operational	0 ~ 3,000 m

**Internal Speaker:**

Item	Specifications
Output	10W+10W(RMS)
Impedance	8Ω
Output Sound Pressure	82 dB/W/M
Frequency Response	160 Hz ~ 13 KHz

**CDP4235-T Touch specification**

Touch Panel	Detection Method	Optical touch, 4-cam sensor
	Number of Touch	4-touch full screen
	Touch Accuracy	0.5mm(typ.)
	Detection Resolution	10 <sup>12</sup> pixels
	PC connector	USB type B
	Protective	4mm tempered glass



## CDP4635/CDP4635-T

### Display:

Item	Specifications
Screen Size (Active Area)	116.8cm/46" Diagonal , 1018.08mm(H), 572.67mm(V)
Aspect ratio	16:9
Backlight	CCFL
Number of pixels	1920 (H) x 1080 (V)
Pixel pitch	0.53025 (H) x 0.53025 (V) [mm]
Displayable colors	16.7M colors
Brightness (typical)	400 cd/m2
Contrast ratio (typical)	4000:1
Viewing angle	178 degrees

### In/Out Terminals:

Item	Specifications
Speaker Output	Internal Speaker 10W (L) + 10W (R) [RMS]/8Ω 1 Way 1 Speaker System 82 dB/W/M/160 Hz ~ 13 KHz
Audio Output	RCA Jack x 1 0.5V [rms] (Normal)/ 2 Channel (L+R)
Audio Input	RCA Jack x 2 3.5 mm Stereo x 1 0.5V [rms] (Normal)/ 2 Channel (L+R)
RS232C	D-Sub Jack x 2 (9 pin) TXD + RXD (1:1)
RJ-45	RJ-45 Jack x 1 (8 pin) 10/100 LAN Port
HDMI Input	HDMI Jack x 1 (Type A) (18 pin) Digital RGB: TMDS (Video + Audio) MAX: Video - 720p, 1080p, 1920 x 1080/60 Hz (WUXGA) Audio - 48 KHz/ 2 Channel (L+R) Supports LPCM only
DVI-D Input	DVI-D jack Digital RGB: TMDS (Video)
VGA Input	D-Sub Jack x 1 (15 pin) Analog RGB: 0.7V [p-p] (75Ω), H/CS/V: TTL (2.2kΩ), SOG: 1V [p-p] (75Ω) MAX: 720p, 1080p, 1920 x 1080/60 Hz (WUXGA)
VGA Output	D-Sub Jack x 1 (15 pin) Analog RGB: 0.7V [p-p] (75Ω), H/CS/V: TTL (2.2kΩ), SOG: 1V [p-p] (75Ω) MAX: 720p, 1080p, 1920 x 1080/60 Hz (WUXGA)
Component Input	BNC Jack x 3 Y: 1V [p-p] (75Ω), Pb: 0.7V [p-p] (75Ω), Pr: 0.7V [p-p] (75Ω) MAX: 480i, 576i, 480p, 576p, 720p, 1080i, 1080p
Video Input	S-VIDEO Jack x 1 BNC Jack x 1 Y: 1V [p-p] (75Ω), C: 0.3V [p-p] (75Ω) Composite 1V [p-p] (75Ω)
Video Output	BNC Jack x 1 Composite 1V [p-p] (75Ω)
External slot	OPS Expansion slot adapter fr Open Pluggable Specification(OPS) card

### General:

Specifications	CDP4635	CDP4635-T
Item	CDP4635	CDP4635-T
Power Supply	AC 100 ~ 240V, 50 ~ 60Hz	
Power Consumption (Max)	270W	
Power Consumption (typ.)	220W	
Power Consumption (Standby & Off)	<1W (RS232 in active)	
Dimensions (With Stand) [W x H x D]	1091.1 x 681.7 x 329.8 mm	1091.1 x 681.7 x 329.8 mm
Dimensions (Without Stand) [W x H x D]	1091.1 x 645.7 x 120.1 mm	1091.1 x 645.7 x 133.1 mm
Weight (With Stand)	26.3 Kg	32.2 kg
Weight (Without Stand)	24.6 Kg	31.6 kg

VESA Wall mount	400x400mm,400x200mm, M6
Gross Weight	31 Kg

**Environmental Condition:**

Item		Specifications
Temperature	Operational	0 ~ 40°C
	Storage	-20 ~ 60°C
Humidity	Operational	20 ~ 80% RH (No condensation)
	Storage	5 ~ 95% RH (No condensation)
Altitude	Operational	0 ~ 3,000 m

**Internal Speaker:**

Item		Specifications
Output		10W+10W(RMS)
Impedance		8Ω
Output Sound Pressure		82 dB/W/M
Frequency Response		160 Hz ~ 13 KHz

**CDP4635-T touch specification**

Touch Panel	Detection Method	Optical touch, 4-cam sensor
	Number of Touch	4-touch full screen
	Touch Accuracy	0.6mm(typ.)
	Detection Resolution	10 <sup>12</sup> pixels
	PC connector	USB type B
	Protective	4mm tempered glass

## CDX5550-L

### Display:

Item	Specifications
Screen Size (Active Area)	138.68cm/55"(54.6" Viewable) Diagonal, 1209.6mm(H), 680.4mm(V)
Aspect ratio	16:9
Backlight	Direct LED
Number of pixels	1920 (H) x 1080 (V)
Pixel pitch	0.63 (H) x 0.63 (V) [mm]
Displayable colors	16.7M colors
Brightness (typical)	700 cd/m <sup>2</sup>
Contrast ratio (typical)	3500:1
Viewing angle	178 degrees

### In/Out Terminals:

Item	Specifications
Speaker Output	Internal Speaker 10W (L) + 10W (R) [RMS]/8Ω 1 Way 1 Speaker System 82 dB/W/M/160 Hz ~ 13 KHz
Audio Output	RCA Jack x 1 0.5V [rms] (Normal)/ 2 Channel (L+R)
Audio Input	RCA Jack x 2 3.5 mm Stereo x 1 0.5V [rms] (Normal)/ 2 Channel (L+R)
RS232C	D-Sub Jack x 2 (9 pin) TXD + RXD (1:1)
RJ-45	RJ-45 Jack x 1 (8 pin) 10/100 LAN Port
HDMI Input	HDMI Jack x 1 (Type A) (18 pin) Digital RGB: TMDS (Video + Audio) MAX: Video - 720p, 1080p, 1920 x 1080/60 Hz (WUXGA) Audio - 48 KHz/ 2 Channel (L+R) Supports LPCM only
DVI-D Input	DVI-D jack Digital RGB: TMDS (Video)
VGA Input	D-Sub Jack x 1 (15 pin) Analog RGB: 0.7V [p-p] (75Ω), H/CS/V: TTL (2.2kΩ), SOG: 1V [p-p] (75Ω) MAX: 720p, 1080p, 1920 x 1080/60 Hz (WUXGA)
VGA Output	D-Sub Jack x 1 (15 pin) Analog RGB: 0.7V [p-p] (75Ω), H/CS/V: TTL (2.2kΩ), SOG: 1V [p-p] (75Ω) MAX: 720p, 1080p, 1920 x 1080/60 Hz (WUXGA)
Component Input	BNC Jack x 3 Y: 1V [p-p] (75Ω), Pb: 0.7V [p-p] (75Ω), Pr: 0.7V [p-p] (75Ω) MAX: 480i, 576i, 480p, 576p, 720p, 1080i, 1080p
Video Input	S-VIDEO Jack x 1 BNC Jack x 1 Y: 1V [p-p] (75Ω), C: 0.3V [p-p] (75Ω) Composite 1V [p-p] (75Ω)
Video Output	BNC Jack x 1 Composite 1V [p-p] (75Ω)
External slot	OPS Expansion slot adapter for Open Pluggable Specification(OPS) card

### General:

Item	Specifications
Power Supply	AC 100 ~ 240V, 50 ~ 60Hz
Power Consumption (Max)	360W
Power Consumption (typ.)	190W
Power Consumption (Standby & Off)	<1W (RS232 in active)
Dimensions (With Stand) [W x H x D]	1215.3 x 737.8 x 400 mm
Dimensions (Without Stand) [W x H x D]	1215.3 x 686.1 x 128.1 mm
Weight (With Stand)	38.2 Kg
Weight (Without Stand)	36 Kg
Gross Weight	43 Kg
VESA Wall mount	400x400mm, M6

**Environmental Condition:**

Item		Specifications
Temperature	Operational	0 ~ 40°C
	Storage	-20 ~ 60°C
Humidity	Operational	20 ~ 80% RH (No condensation)
	Storage	5 ~ 95% RH (No condensation)
Altitude	Operational	0 ~ 3,000 m

**Internal Speaker:**

Item	Specifications
Output	10W+10W(RMS)
Impedance	8Ω
Output Sound Pressure	82 dB/W/M
Frequency Response	160 Hz ~ 13 KHz

# Customer Support

For technical support or product service, see the table below or contact your reseller.

**NOTE:** You will need the product serial number.

Country/Region	Website	T = Telephone F = FAX	Email
Australia/New Zealand	www.viewsonic.com.au	AUS= 1800 880 818 NZ= 0800 008 822	service@au.viewsonic.com
Canada	www.viewsonic.com	T (Toll-Free)= 1-866-463-4775 T (Toll)= 1-424-233-2533 F= 1-909-468-3757	service.ca@viewsonic.com
Europe	www.viewsoniceurope.com	www.viewsoniceurope.com/uk/Support/Calldesk.htm	
Hong Kong	www.hk.viewsonic.com	T= 852 3102 2900	service@hk.viewsonic.com
India	www.in.viewsonic.com	T= 1800 266 0101	service@in.viewsonic.com
Ireland (Eire)	www.viewsoniceurope.com/uk/	www.viewsoniceurope.com/uk/support/call-desk/	service_ie@viewsoniceurope.com
Korea	www.kr.viewsonic.com	T= 080 333 2131	service@kr.viewsonic.com
Latin America (Argentina)	www.viewsonic.com/la/	T= 0800-4441185	soporte@viewsonic.com
Latin America (Chile)	www.viewsonic.com/la/	T= 1230-020-7975	soporte@viewsonic.com
Latin America (Columbia)	www.viewsonic.com/la/	T= 01800-9-157235	soporte@viewsonic.com
Latin America (Mexico)	www.viewsonic.com/la/	T= 001-8882328722	soporte@viewsonic.com
Renta y Datos, 29 SUR 721, COL. LA PAZ, 72160 PUEBLA, PUE. Tel: 01.222.891.55.77 CON 10 LINEAS Electroser, Av Reforma No. 403Gx39 y 41, 97000 Mérida, Yucatán. Tel: 01.999.925.19.16 Other places please refer to <a href="http://www.viewsonic.com/la/soporte/index.htm#Mexico">http://www.viewsonic.com/la/soporte/index.htm#Mexico</a>			
Latin America (Peru)	www.viewsonic.com/la/	T= 0800-54565	soporte@viewsonic.com
Macau	www.hk.viewsonic.com	T= 853 2870 0303	service@hk.viewsonic.com
Middle East	ap.viewsonic.com/me/	Contact your reseller	service@ap.viewsonic.com
Puerto Rico & Virgin Islands	www.viewsonic.com	T= 1-800-688-6688 (English) T= 1-866-379-1304 (Spanish) F= 1-909-468-3757	service.us@viewsonic.com soporte@viewsonic.com
Singapore/Malaysia/Thailand	www.ap.viewsonic.com	T= 65 6461 6044	service@sg.viewsonic.com
South Africa	ap.viewsonic.com/za/	Contact your reseller	service@ap.viewsonic.com
United Kingdom	www.viewsoniceurope.com/uk/	www.viewsoniceurope.com/uk/support/call-desk/	service_gb@viewsoniceurope.com
United States	www.viewsonic.com	T (Toll-Free)= 1-800-688-6688 T (Toll)= 1-424-233-2530 F= 1-909-468-3757	service.us@viewsonic.com

# Limited Warranty

## VIEWSONIC® LCD Commercial Display

### **What the warranty covers:**

ViewSonic warrants its products to be free from defects in material and workmanship, under normal use, during the warranty period. If a product proves to be defective in material or workmanship during the warranty period, ViewSonic will, at its sole option, repair or replace the product with a like product. Replacement product or parts may include remanufactured or refurbished parts or components.

### **How long the warranty is effective:**

ViewSonic LCD Commercial Displays are warranted for 3 years for all parts excluding the light source and 3 years for labor from the date of the first customer purchase.

### **Who the warranty protects:**

This warranty is valid only for the first consumer purchaser.

### **What the warranty does not cover:**

1. Any product on which the serial number has been defaced, modified or removed.
2. Damage, deterioration or malfunction resulting from:
  - a. Accident, misuse, neglect, fire, water, lightning, or other acts of nature, unauthorized product modification, or failure to follow instructions supplied with the product.
  - b. Any damage of the product due to shipment.
  - c. Removal or installation of the product.
  - d. Causes external to the product, such as electrical power fluctuations or failure.
  - e. Use of supplies or parts not meeting ViewSonic's specifications.
  - f. Normal wear and tear.
  - g. Any other cause which does not relate to a product defect.
3. Any product exhibiting a condition commonly known as "image burn-in" which results when a static image is displayed on the product for an extended period of time.
4. Removal, installation, one way transportation, insurance, and set-up service charges.

### **How to get service:**

1. For information about receiving service under warranty, contact ViewSonic Customer Support (Please refer to Customer Support page). You will need to provide your product's serial number.
2. To obtain warranty service, you will be required to provide (a) the original dated sales slip, (b) your name, (c) your address, (d) a description of the problem, and (e) the serial number of the product.
3. Take or ship the product freight prepaid in the original container to an authorized ViewSonic service center or ViewSonic.
4. For additional information or the name of the nearest ViewSonic service center, contact ViewSonic.

**Limitation of implied warranties:**

There are no warranties, express or implied, which extend beyond the description contained herein including the implied warranty of merchantability and fitness for a particular purpose.

**Exclusion of damages:**

ViewSonic's liability is limited to the cost of repair or replacement of the product. ViewSonic shall not be liable for:

1. Damage to other property caused by any defects in the product, damages based upon inconvenience, loss of use of the product, loss of time, loss of profits, loss of business opportunity, loss of goodwill, interference with business relationships, or other commercial loss, even if advised of the possibility of such damages.
2. Any other damages, whether incidental, consequential or otherwise.
3. Any claim against the customer by any other party.
4. Repair or attempted repair by anyone not authorized by ViewSonic.

**Effect of state law:**

This warranty gives you specific legal rights, and you may also have other rights which vary from state to state. Some states do not allow limitations on implied warranties and/or do not allow the exclusion of incidental or consequential damages, so the above limitations and exclusions may not apply to you.

**Sales outside the U.S.A. and Canada:**

For warranty information and service on ViewSonic products sold outside of the U.S.A. and Canada, contact ViewSonic or your local ViewSonic dealer.

The warranty period for this product in mainland China (Hong Kong, Macao and Taiwan Excluded) is subject to the terms and conditions of the Maintenance Guarantee Card.

For users in Europe and Russia, full details of warranty provided can be found in [www.viewsoniceurope.com](http://www.viewsoniceurope.com) under Support/Warranty Information.

# Mexico Limited Warranty

## VIEWSONIC® LCD Commercial Display

### What the warranty covers:

ViewSonic warrants its products to be free from defects in material and workmanship, under normal use, during the warranty period. If a product proves to be defective in material or workmanship during the warranty period, ViewSonic will, at its sole option, repair or replace the product with a like product. Replacement product or parts may include remanufactured or refurbished parts or components.

### How long the warranty is effective:

ViewSonic LCD Commercial Displays are warranted for 3 years for all parts excluding the light source and 3 years for labor from the date of the first customer purchase.

### Who the warranty protects:

This warranty is valid only for the first consumer purchaser.

### What the warranty does not cover:

1. Any product on which the serial number has been defaced, modified or removed.
2. Damage, deterioration or malfunction resulting from:
  - a. Accident, misuse, neglect, fire, water, lightning, or other acts of nature, unauthorized product modification, or failure to follow instructions supplied with the product.
  - b. Any damage of the product due to shipment.
  - c. Removal or installation of the product.
  - d. Causes external to the product, such as electrical power fluctuations or failure.
  - e. Use of supplies or parts not meeting ViewSonic's specifications.
  - f. Normal wear and tear.
  - g. Any other cause which does not relate to a product defect.
3. Any product exhibiting a condition commonly known as "image burn-in" which results when a static image is displayed on the product for an extended period of time.
4. Removal, installation, one way transportation, insurance, and set-up service charges.

### How to get service:

For information about receiving service under warranty, contact ViewSonic Customer Support (Please refer to the attached Customer Support page). You will need to provide your product's serial number, so please record the product information in the space provided below on your purchase for your future use. Please retain your receipt of proof of purchase to support your warranty claim.

For Your Records

Product Name: \_\_\_\_\_

Model Number: \_\_\_\_\_

Document Number: \_\_\_\_\_

Serial Number: \_\_\_\_\_

Purchase Date: \_\_\_\_\_

Extended Warranty Purchase? \_\_\_\_\_ (Y/N)

If so, what date does warranty expire? \_\_\_\_\_

1. To obtain warranty service, you will be required to provide (a) the original dated sales slip, (b) your name, (c) your address, (d) a description of the problem, and (e) the serial number of the product.
2. Take or ship the product in the original container packaging to an authorized ViewSonic service center.
3. Round trip transportation costs for in-warranty products will be paid by ViewSonic.

### Limitation of implied warranties:

There are no warranties, express or implied, which extend beyond the description contained herein including the implied warranty of merchantability and fitness for a particular purpose.

### Exclusion of damages:

ViewSonic's liability is limited to the cost of repair or replacement of the product. ViewSonic shall not be liable for:

1. Damage to other property caused by any defects in the product, damages based upon inconvenience, loss of use of the product, loss of time, loss of profits, loss of business opportunity, loss of goodwill, interference with business relationships, or other commercial loss, even if advised of the possibility of such damages.
2. Any other damages, whether incidental, consequential or otherwise.
3. Any claim against the customer by any other party.
4. Repair or attempted repair by anyone not authorized by ViewSonic.



**Contact Information for Sales & Authorized Service (Centro Autorizado de Servicio) within Mexico:****Name, address, of manufacturer and importers:**

México, Av. de la Palma #8 Piso 2 Despacho 203, Corporativo Interpalmas,  
Col. San Fernando Huixquilucan, Estado de México  
Tel: (55) 3605-1099  
<http://www.viewsonic.com/la/soporte/index.htm>

**NÚMERO GRATIS DE ASISTENCIA TÉCNICA PARA TODO MÉXICO: 001.866.823.2004****Hermosillo:**

Distribuciones y Servicios Computacionales SA de CV.  
Calle Juarez 284 local 2  
Col. Bugambillas C.P: 83140  
Tel: 01-66-22-14-9005  
E-Mail: [disc2@hmo.megared.net.mx](mailto:disc2@hmo.megared.net.mx)

**Villahermosa:**

Compumantenimientos Garantizados, S.A. de C.V.  
AV. GREGORIO MENDEZ #1504  
COL, FLORIDA C.P. 86040  
Tel: 01 (993) 3 52 00 47 / 3522074 / 3 52 20 09  
E-Mail: [compumantenimientos@prodigy.net.mx](mailto:compumantenimientos@prodigy.net.mx)

**Puebla, Pue. (Matriz):**

RENTA Y DATOS, S.A. DE C.V. Domicilio:  
29 SUR 721 COL. LA PAZ  
72160 PUEBLA, PUE.  
Tel: 01(52).222.891.55.77 CON 10 LINEAS  
E-Mail: [datos@puebla.megared.net.mx](mailto:datos@puebla.megared.net.mx)

**Veracruz, Ver.:**

CONEXION Y DESARROLLO, S.A DE C.V. Av. Americas # 419  
ENTRE PINZÓN Y ALVARADO  
Fracc. Reforma C.P. 91919  
Tel: 01-22-91-00-31-67  
E-Mail: [gacosta@qplus.com.mx](mailto:gacosta@qplus.com.mx)

**Chihuahua**

Soluciones Globales en Computación  
C. Magisterio # 3321 Col. Magisterial  
Chihuahua, Chih.  
Tel: 4136954  
E-Mail: [Cefeo@soluglobales.com](mailto:Cefeo@soluglobales.com)

**Cuernavaca**

Compusupport de Cuernavaca SA de CV  
Francisco Leyva # 178 Col. Miguel Hidalgo  
C.P. 62040, Cuernavaca Morelos  
Tel: 01 777 3180579 / 01 777 3124014  
E-Mail: [aquevedo@compusupportcva.com](mailto:aquevedo@compusupportcva.com)

**Distrito Federal:**

QPLUS, S.A. de C.V.  
Av. Coyoacán 931  
Col. Del Valle 03100, México, D.F.  
Tel: 01(52)55-50-00-27-35  
E-Mail : [gacosta@qplus.com.mx](mailto:gacosta@qplus.com.mx)

**Guadalajara, Jal.:**

SERVICRECE, S.A. de C.V.  
Av. Niños Héroes # 2281  
Col. Arcos Sur, Sector Juárez  
44170, Guadalajara, Jalisco  
Tel: 01(52)33-36-15-15-43  
E-Mail: [mmiranda@servicrece.com](mailto:mmiranda@servicrece.com)

**Guerrero Acapulco**

GS Computación (Grupo Sesicomp)  
Progreso #6-A, Colo Centro  
39300 Acapulco, Guerrero  
Tel: 744-48-32627

**Monterrey:**

Global Product Services  
Mar Caribe # 1987, Esquina con Golfo Pérsico  
Fracc. Bernardo Reyes, CP 64280  
Monterrey N.L. México  
Tel: 8129-5103  
E-Mail: [aydeem@gps1.com.mx](mailto:aydeem@gps1.com.mx)

**MÉRIDA:**

ELECTROSER  
Av Reforma No. 403Gx39 y 41  
Mérida, Yucatán, México CP97000  
Tel: (52) 999-925-1916  
E-Mail: [rrrb@sureste.com](mailto:rrrb@sureste.com)

**Oaxaca, Oax.:**

CENTRO DE DISTRIBUCION Y  
SERVICIO, S.A. de C.V.  
Murguía # 708 P.A., Col. Centro, 68000, Oaxaca  
Tel: 01(52)95-15-15-22-22  
Fax: 01(52)95-15-13-67-00  
E-Mail: [gpotai2001@hotmail.com](mailto:gpotai2001@hotmail.com)

**Tijuana:**

STD  
Av Ferrocarril Sonora #3780 L-C  
Col 20 de Noviembre  
Tijuana, Mexico

**FOR USA SUPPORT:**

ViewSonic Corporation  
381 Brea Canyon Road, Walnut, CA. 91789 USA  
Tel: 800-688-6688 (English); 866-323-8056 (Spanish);  
Fax: 1-800-685-7276  
E-Mail: <http://www.viewsonic.com>



**ViewSonic®**